

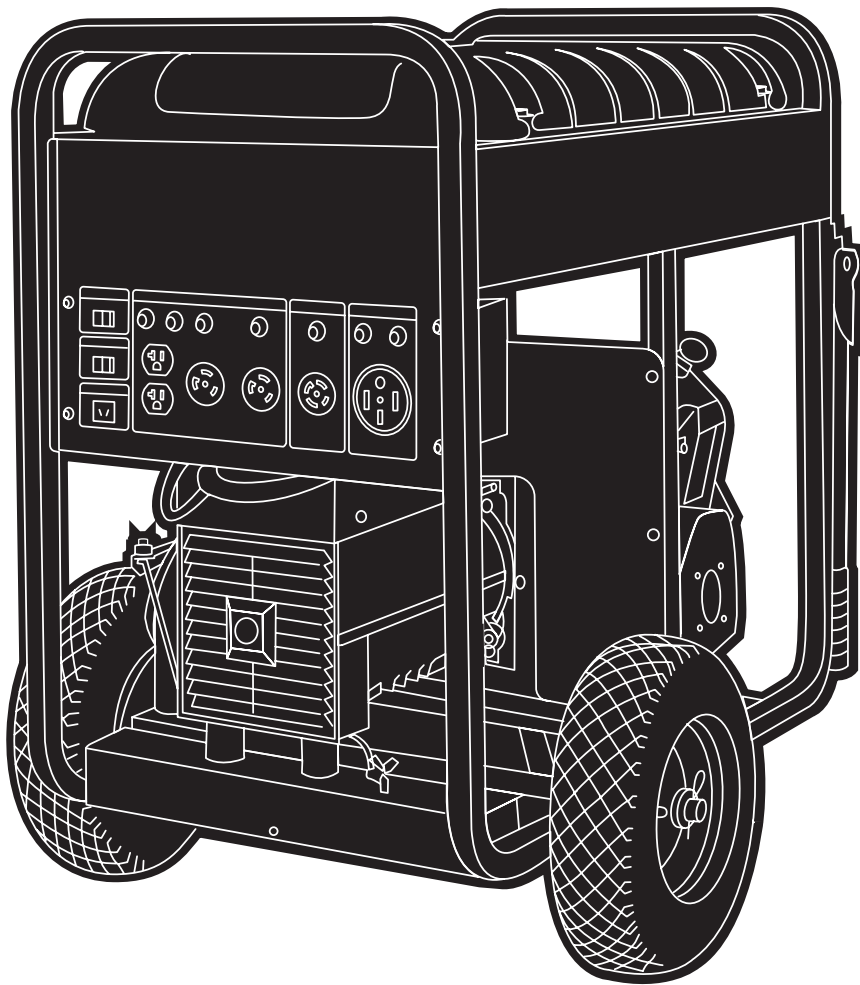


# ELITE Series™

**PORTABLE GENERATOR  
GÉNÉRATEUR PORTATIF  
GENERADOR PORTÁTIL**

## Illustrated Parts List

**09801  
(10000W)**



Questions? Help is just a moment away!

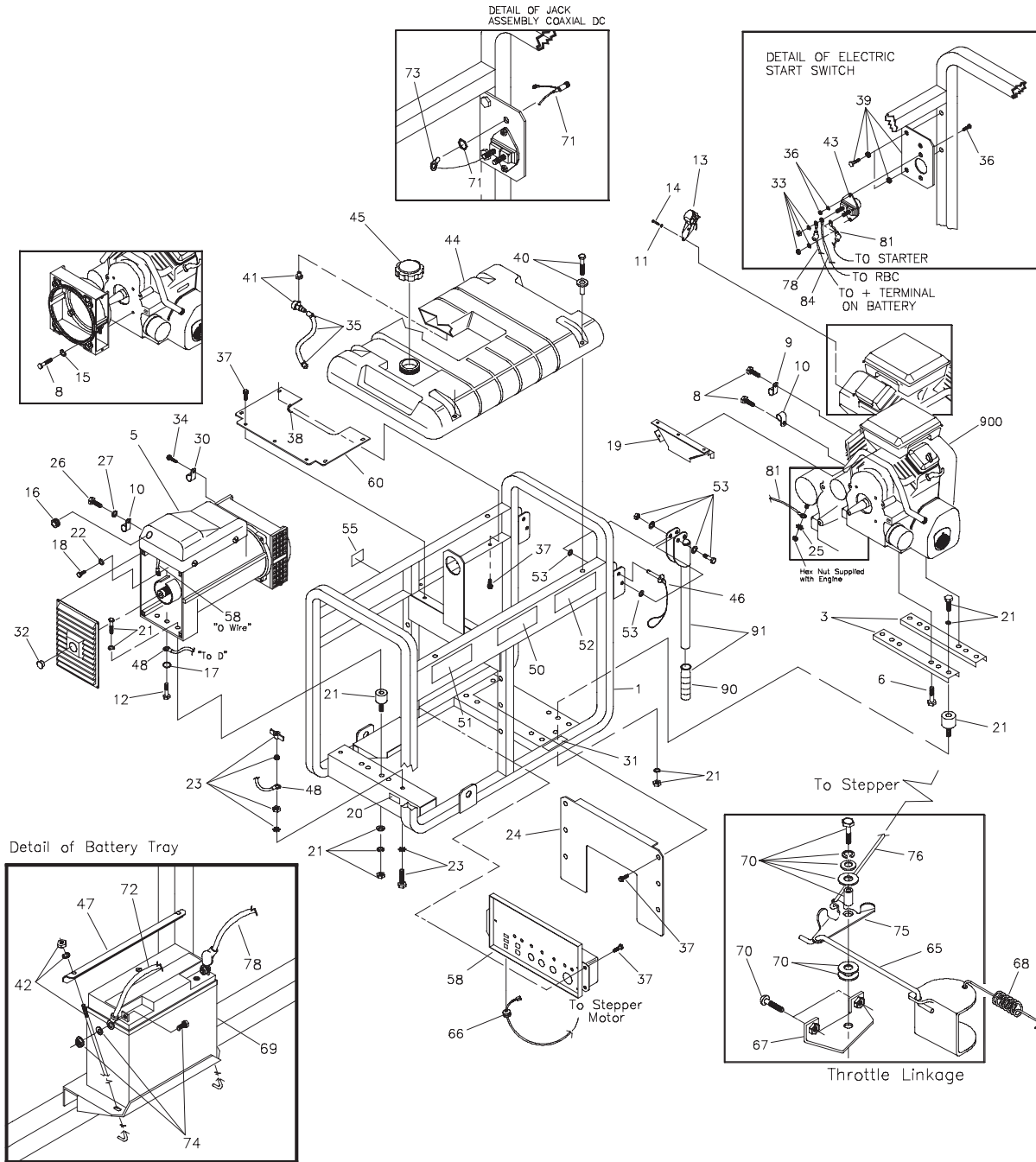
Call: **Generator Helpline - 1-800-743-4115** M-F 8-5 CT

web: [www.briggsandstratton.com](http://www.briggsandstratton.com)

**BRIGGS & STRATTON POWER PRODUCTS GROUP, LLC  
JEFFERSON, WISCONSIN, U.S.A.**

Manual No. 191423A  
Revision 2 (03/10/2006)

# EXPLODED VIEW – MAIN UNIT



Copyright © 2006 Briggs & Stratton Power Products Group, LLC. All rights reserved. No part of this material may be reproduced or transmitted in any form by any means without the express written permission of Briggs & Stratton Power Products Group, LLC.

## PARTS LIST – MAIN UNIT

Item	Part #	Description	Item	Part #	Description
1	M189487GS	CRADLE	65	95921GS	LINKAGE, Bell Crank to Throttle
3	M77304GS	SUPPORT, Engine	66	62265GS	GROMMET, Rubber
5	NSP	ASSY, Alternator (see page 6)	67	95349GS	PLATE, Adjust
6	75246GS	SELF TAPPING, 3/8"-16 x 1-1/4" Lg.	68	96717GS	SPRING
8	22511GS	CAPSCREW, 3/8 x 1-1/4"	69	193043GS	BATTERY
9	96832GS	CLAMP, Hose	70	194543GS	KIT, Throttle Linkage Hardware
10	55934GGS	CLAMP, Hose	71	188989GS	ASSY, Jack, DC
11	*	WASHER, M8 - Lock	72	19753621GS	CABLE, Battery Negative
12	*	HHCS, M8 - 1.25 x 20 Lg.	73	58359GS	LUG, 5/16 #22/18 I-S
13	96867GS	ASSY, Stepper Motor	74	193347GS	KIT, Battery Hardware
14	*	HHCS, M8 1.25 x 20	75	95348GS	BRACKET, Bell Crank
15	*	WASHER, 3/8" Lock	76	95920GS	LINKAGE, Stepper Motor to Bell Crank
16	B4794GS	GROMMET, Generator Cover	78	189302DGS	CABLE, Battery Positive
17	*	WASHER, 5/16" Shakeproof	81	189302AGS	ASSY, Wire, #16
18	*	HHCS, M5 - 0.8 x 12	84	186102GS	WIRE, Harness
19	J93074GS	SHIELD, Heat	90	198669GS	GRIP
20	B4986GS	DECAL, Ground	91	B193200GS	ASSY, Handle (Includes Item 90)
21	194526GS	KIT, Vibration Mount	900	§	ENGINE
22	49226GS	WASHER, M5 Lock			
23	194533GS	KIT, Grounding Hardware			
24	JB5567GS	SHIELD, Heat			
25	*	WASHER, M6 Shakeproof			
26	*	HHCS, M6 - 1.0 X 16 Lg.			
27	*	WASHER, Flat M6			
30	55934TGS	CLAMP, Hose			
31	196830GS	DECAL, Caution Hot Muffler			
32	187049GS	PLUG, Dome			
33	194441GS	KIT, Hardware Contact Starter			
34	*	PPHMS, M5-0.8 x 16			
35	791745	KIT, Hose, Fuel (cut to fit)			
36	194440GS	KIT, Starter Mounting Hardware			
37	B2153GS	SCREW, #12 Self Driller			
38	A5850GS	U-CHANNEL, .09" Groove x 4"			
39	194439GS	KIT, Mounting Plate			
40	194401GS	KIT, Hardware Tank, Fuel (Includes Qty of 4)			
41	192980GS	KIT, Valve, Fuel Shut-Off			
42	193986GS	KIT, J-Bolt with Hardware			
43	77282GS	SWITCH, Starter			
44	B1997GS	ASSY, Tank, Fuel (Includes Item 41)			
45	B4325GS	CAP, Fuel Tank			
46	B4135GS	PIN, with Lanyard			
47	M96925GS	BRACKET, Battery Tie Down			
48	19553621GS	ASSY, Wire, Ground			
50	188333GS	DECAL, Instruction, Fuel Level			
51	194799GS	DECAL, Danger			
52	93826GS	DECAL, Start Instructions			
53	194034GS	KIT, Hardware Fold Down Handle			
55	197798GS	DECAL, Fuel Shut-Off			
58	186076GS	ASSY, Control Panel (see page 4)			
60	JB4509AGS	SHIELD, Heat			

Parts Not Illustrated	
692099	MUFFLER
690898	CLAMP, Muffler
691513	BRACKET, Muffler
392390	SPARK ARRESTOR
690661	SCREW, Set
692056	BOLT
692359	SCREW
191423GS	MANUAL, Operator's
MS5375	MANUAL, Engine
BB3061GS	OIL BOTTLE
B4177GS	CHARGE, Battery Float
B3518GS	CAP, Funnel, Oil Bottle
43438GS	PLUG, 120/240V, 30A, 4 Prong
93568GS	PLUG, 125V, 20A
100523GS	PLUG, 120V/30A, 3 Prong
5049S	OIL FILTER
B4767GS	COVER, Storage
65787GS	CABLE, Battery Charge
394018S	ELEMENT, Air Filter
272490S	PRE-CLEANER, Air
72347GS	SPARK PLUG
193985GS	KIT, Decals, Service

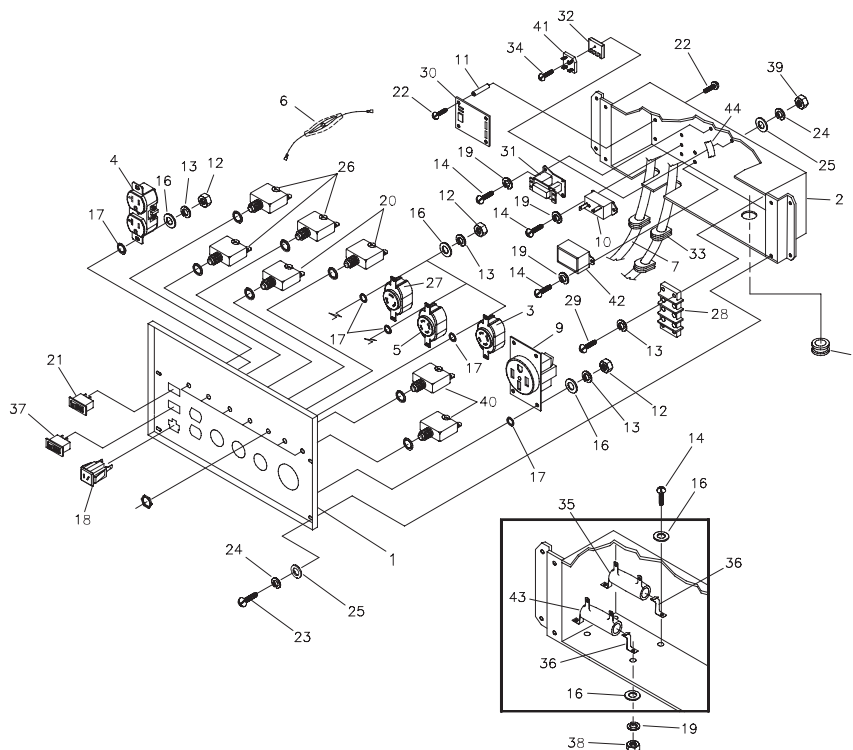
  

Optional Accessories Not Included:	
84883GS	Cord Wrap
100031	STABILIZER, Fuel

\* - Items without part numbers are common fasteners and can be found at your local hardware store.

§ - Contact Engine Manufacturer

# EXPLODED VIEW AND PARTS LIST – CONTROL PANEL

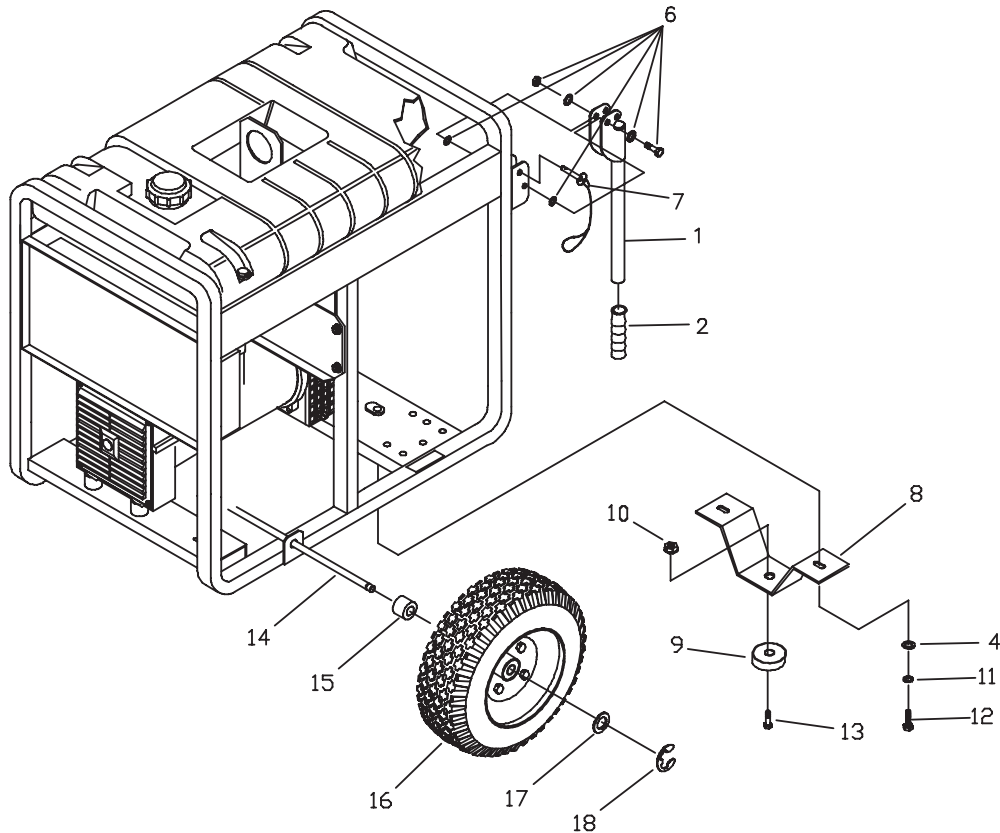


Item	Part #	Description
1	AB4432GS	PANEL, Control
2	B95906GS	BOX, Control
3	43437GS	OUTLET, 120/240V, 30A Locking
4	68759GS	OUTLET, 120V, 20A Duplex
5	68868GS	OUTLET, 120V, 30A Locking
6	B5112GS	ASSY, Diode
7	186102GS	ASSY, Engine Harness
8	90576GS	GROMMET, Rubber
9	B4262GS	OUTLET, 120/240V, 50A
10	87962GS	BREAKER, Circuit
11	93929GS	STAND OFF, 1/2" Hex
12	*	NUT, M4 - 0.7 Hex
13	*	WASHER, Lock, #8 M4
14	*	SCREW, M3 - .05 x 10mm
16	*	WASHER, Flat, #8
17	*	WASHER, #8 Shakeproof
18	90418GS	OUTLET, 12V DC Snap
19	*	WASHER, Lock, M3
20	75207AGS	BREAKER, Circuit, 30A
21	78653GS	SWITCH, Run - Stop
22	*	SCREW, M3 - 0.5 x 20mm
23	*	SCREW, M5 - .08 x 12mm
24	*	WASHER, Lock, M5

Item	Part #	Description
25	*	WASHER, Flat, M5
26	75207GS	BREAKER, Circuit, 20A
27	74190GS	OUTLET, 120V/20A
28	92953GS	BLOCK, 50 Amp, 3 - Terminal
29	*	SCREW, M4 x 20mm
30	94117GS	BOARD, Idle Control
31	84028GS	TRANSFORMER, Idle Control
32	65795GS	RECTIFIER, Battery Charge
33	84135GS	GROMMET, Rubber
34	*	SCREW, M5 - 0.8 x 30mm
35	186200GS	RESISTOR, .25 OHM, 25 Watt
36	B4893GS	STAND OFF
37	82538GS	SWITCH, On - Off
38	*	NUT, Hex, M3 - 0.5
39	*	NUT, Hex, M5 - 0.8
40	B4445GS	BREAKER, Circuit, 45A
41	B4894GS	RECTIFIER, Battery Charge
42	77314GS	RELAY, 3A Thermal
43	B4892GS	RESISTOR, 2 OHM, 25 Watt
44	27565GS	TAPE, Glass Insulation x 1.5"

\* - Items without part numbers are common fasteners and can be found at your local hardware store.

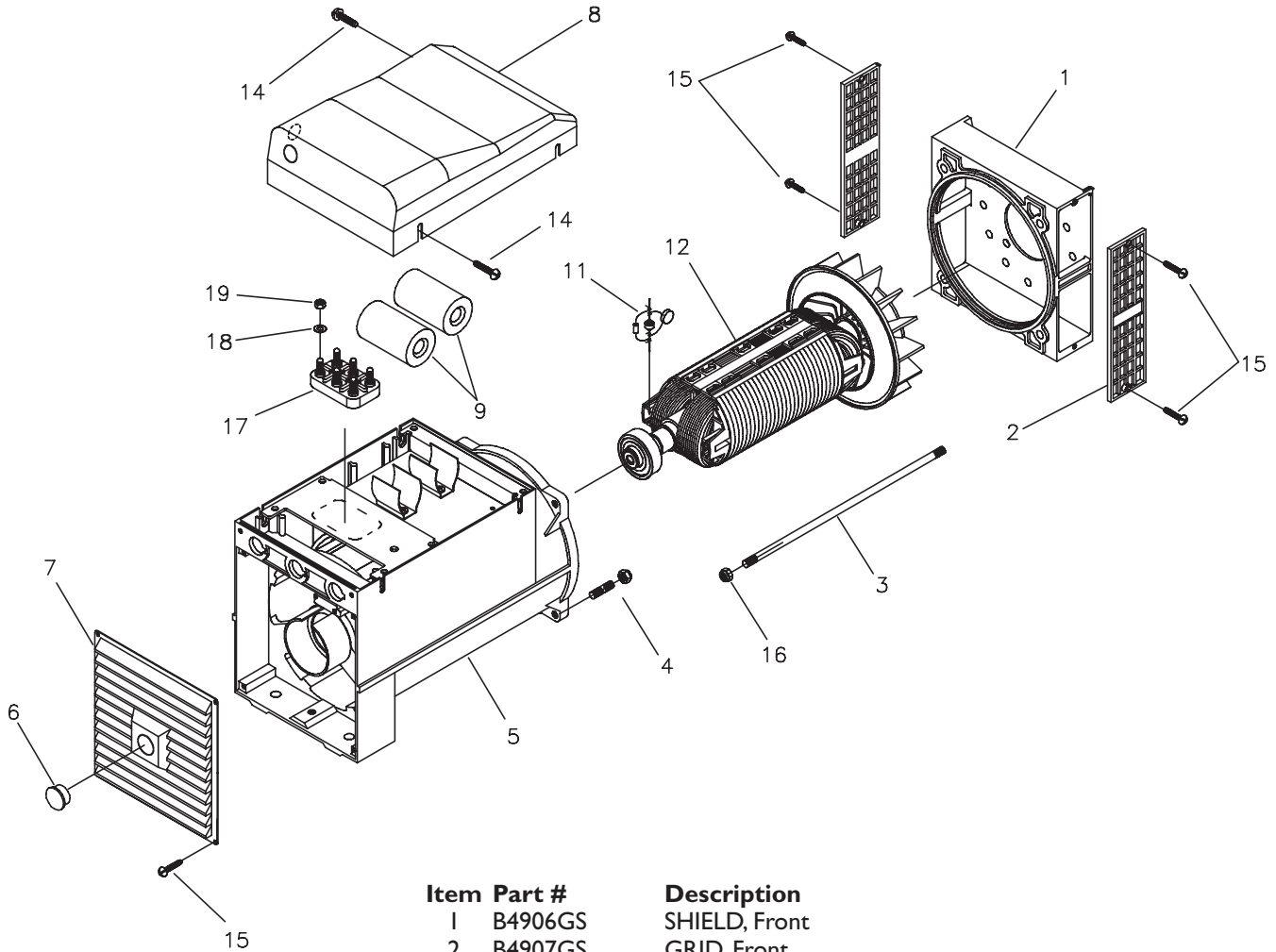
## EXPLODED VIEW AND PARTS LIST – WHEEL KIT



Item	Part #	Description
1	B193200GS	ASSY, Handle (Includes Item 2)
2	189718GS	GRIP
4	*	WASHER, Flat, 5/16 - M8
5	*	NUT, M8 Nylok
6	194034GS	KIT, Hardware Handle Fold-Down
7	B4135GS	PIN, with Lanyard
8	B93394GS	LEG, Mounting Support
9	191413GS	VIBE MOUNT, with Washer
10	192432GS	NUT, 1/4 - 20 Serrated Lock
11	*	WASHER, M8 Lock
12	*	HHCS, M8 - 1.25 x 20 Lg.
13	*	HHCS, 1/4 - 20 x 1.00 Lg.
14	191267BGS	AXLE, 5/8" x 28.74"
15	89635GS	SPACER, Wheel
16	89742GS	WHEEL
17	*	WASHER, 5/8
18	191265GS	E-RING

\* - Items without part numbers are common fasteners and can be found at your local hardware store.

## EXPLODED VIEW AND PARTS LIST – ALTERNATOR



Item	Part #	Description
1	B4906GS	SHIELD, Front
2	B4907GS	GRID, Front
3	B4908GS	BOLT, Shaft Stay
4	B4909GS	BOLT, Stay
5	B4910GS	ASSY, Housing
6	187049GS	PLUG, Domed
7	B4912GS	COVER, Blind End
8	B4913GS	COVER, Top Black
9	B4914GS	CAPACITOR
11	B4916GS	CAPACITOR, Diode + Varistor + EMC
12	191297GS	ASSY, Rotor (Includes Item 11)
14	B4919GS	SCREW
15	B4920GS	SCREW
16	49820GS	NUT, Lock
17	188928GS	CONNECTOR, 6-Pin
18	22473GS	WASHER
19	49813GS	NUT