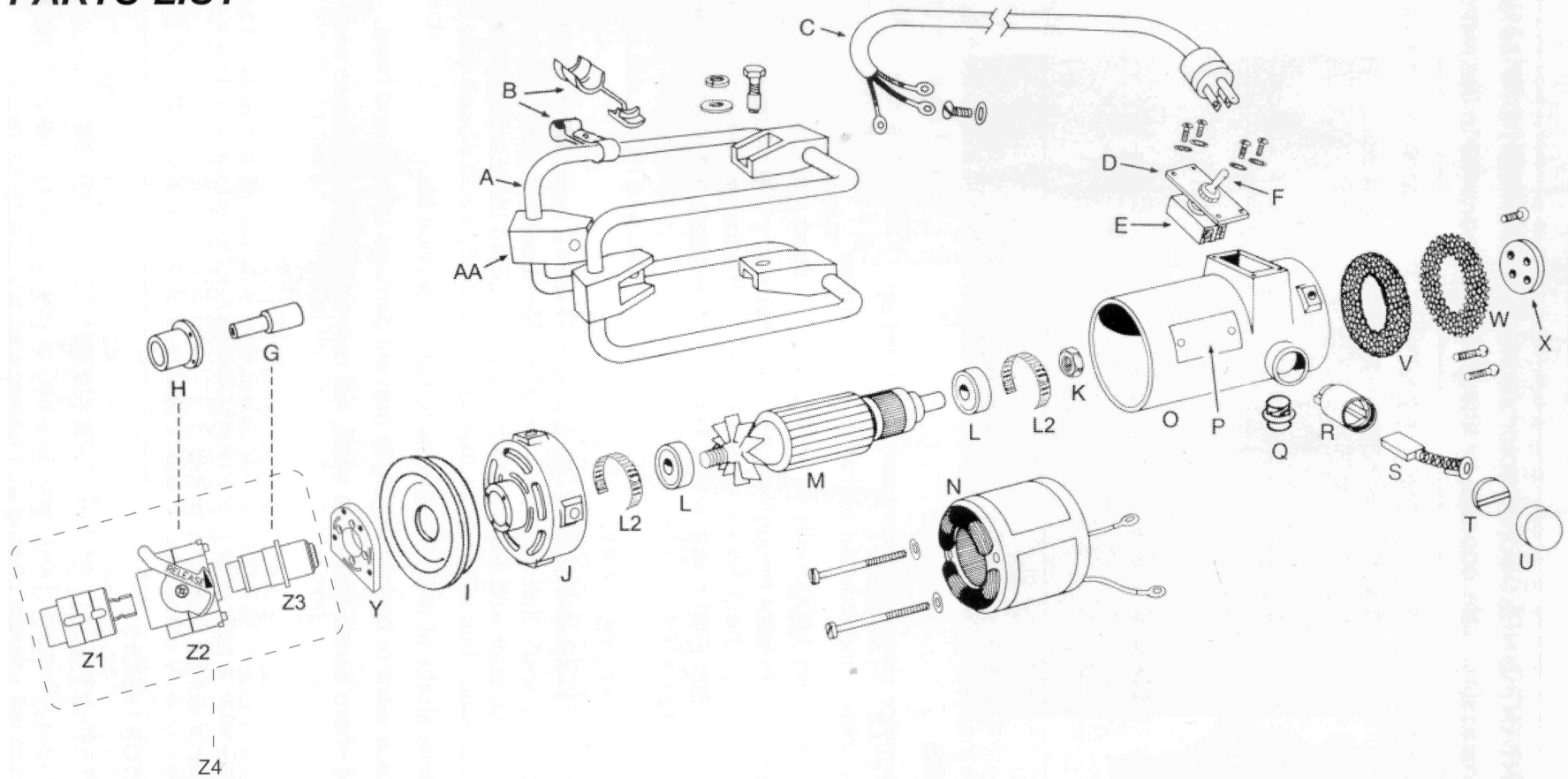


MOTOR ASSEMBLY PARTS LIST



Ref	Description	MODEL 1.2 Part#	MODEL 1.8 Part#	MODEL 2.4Part#	MODEL 3.2 Part#
A	FRAME ASSEMBLY	6825A1	6825A2	6825A2	6825A3
AA	SHOCK MOUNT	319B2	319A2	319A2	319A3
B	STRAIN RELIEF ASSEMBLY	334B1	334B1	334B2	334B3
C	CORD ASSFMEBLY	174A1	174A1	174J1	174J1
D 115 V	SWITCH PLATE ASSEMBLY 115V	102A2	102M	102A6	102A8
230 V	SWITCH PLATE ASSEMBLY 230V	N/A	102A5	102A7	102A9
E	SWITCH	177A1	177A1	177A1	177A1
F	RUBBER BOOT (SWITCH)	34A1	34A1	34A1	34A1
G&H	CORE & CASING ADAPTER	SEE CHART	----	---	---
I	BAEFLE ASSEMBLY	46G1	46G2	46G2	46G3
J	END BELL	324A1	324B1	32481	324C1
K	NYLON INSERT LOCKNUT	SEE CHART	----	---	---
L	BEARINGS (2)	207R1	207S1	207S1	207S1
L12	TOLERANCE RING (2)	173D1	173E1	173E1	173B1
M 115V	ARMATURE 115V	6826B1	6825C1	6825D1	6825E1
M 230V	ARMATURE 230V	N/A	6825C2	6825D2	6825E2
N 115V	FIELD 115V	221A1	221B1	221C1	221D1
N 230V	FIELD 230V	N/A	221F1	221G1	221H1
O	HOUSING	368A1	368B1	368B1	368C1
P	NAME PLATE	NOT SOLD	---	---	---
Q	ACCESS PORTPLUG	444C1	444C1	444C1	444C1
R	BRUSH HOLDER	178A1	178A2	178A2	178A3
S	BRUSH	240A1	240A2	240A2	240A3
T	SCREW CAP	329B1	329B2	329B2	329B2
U	PROTECTIVE CAP THREADED	329E1	329E2	329E2	329E2
*Non UL	PUSH-ON PROTECTIVE CAP	[*329A1]	[*329A2]	[*329A2]	[*329A2]
V	FILTER	47A1	47A2	47A2	47A3
W	FILTER SCREEN	49A1	49A2	49A2	49A3
X	COVER	346B1	346B1	346B1	346B1
Y	Q D. SPACER	462AM1	462AM1	462AM1	462AM2
Z1	OZTEC QD CASING COUPLING ASSY	217A1	217A1	217A1	217A1
Z2	OZTEC QD CASING ADAPTER ASSY	270MX1	270MX1	270MX1	270MX1
Z3	OZTEC OD CORE ADAPTER ASSY.	271GT1	271GT1	271GT1	271GT1
Z4	OZTEC QD KIT	OZQDKIT1.2	OZQDKIT1.8	OZQDKIT2.4	OZQDKIT3.2

OZTEC MOTOR STYLE	G. CORE ADAPTER	H. CASING ADAPTER	K. NUT
D	271EF1	270AA1	72AJ1
JE	271S1	270M1	72AJ1
QE	271CX1	270EX1	72AJ1
CE	271FK1	270LB1	72AJ1
DP	271FA	270KL1	72AJ1
ST	271M1	270S1	72AJ1
S	271C1	270N1	72AJ1
SS	271K1	270Y2	72AJ1
MM	271N3	270W1	72AH1
MV	271H1	270AC1	72AH1
M	271L1	270K1	72AH1
MK	271CP1	270EC1	72AJ1
OZ	271N3	270P2	72AH1
DVS	271N4	270P1	72AJ1
RL	271D2	270AB1	72AJ1
R	271P1	270AB1	72AJ1
T	271N2	270T1	72AJ1
TT	271V1	270AD1	72AJ1
V	271N4	270R1	72AJ1
W	271D1	270V1	72AH1
WW	271D1	270X1	72AH1
WS	271EV1	270V1	72AH1
WL	271EV1	270X1	72AH1

NOTE:
CORD ASSEMBLY [PART No. 174J1] IS "TWIST LOCK" TYPE - NEMA CODE P.