



Illustrated Parts List

Model Series

086400

TYPE NUMBERS
0086 Through 0146.

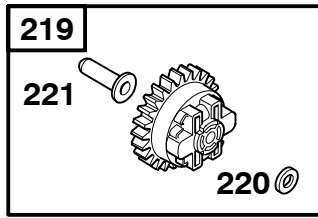
TABLE OF CONTENTS

Air Cleaner	6
Blower Housing	8
Camshaft	4
Carburetor	6
Controls	7
Crankcase Cover	4
Crankshaft	4
Cylinder	2
Cylinder Head	3
Exhaust System	11
Flywheel	5
Fuel Supply	9
Gasket Set-Engine	2
Gasket Set-Valve	3
Governor Spring	7
Ignition	5
Oil Sensor Group	12
Piston, Rings, Connecting Rod	2
Rewind Starter	10
Valves	3

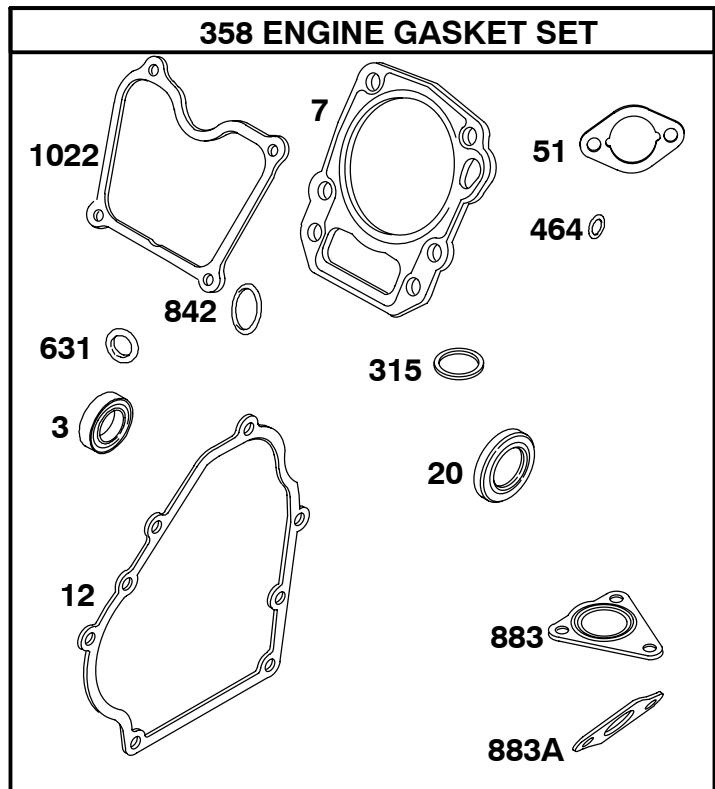
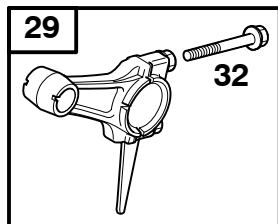
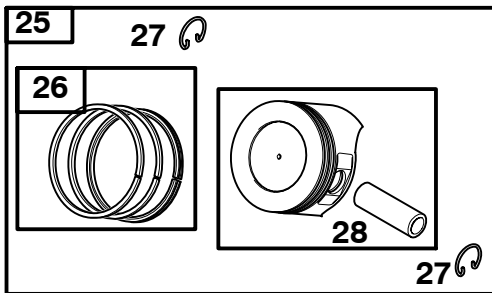
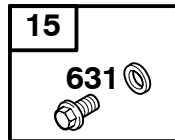
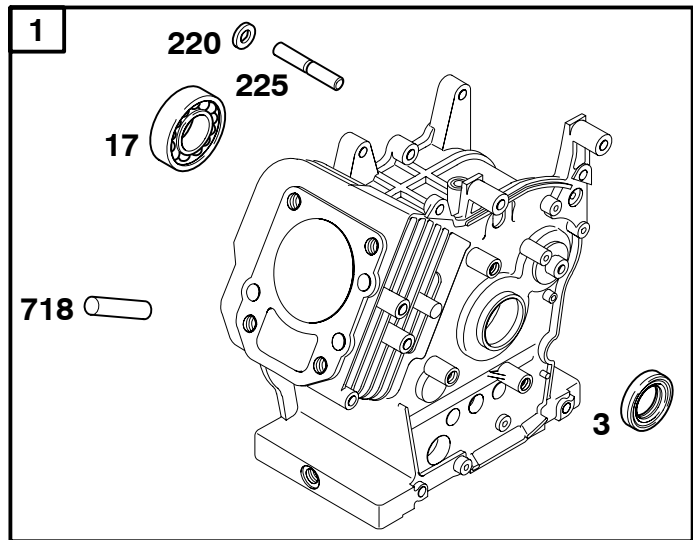
PRINTED IN U.S.A.

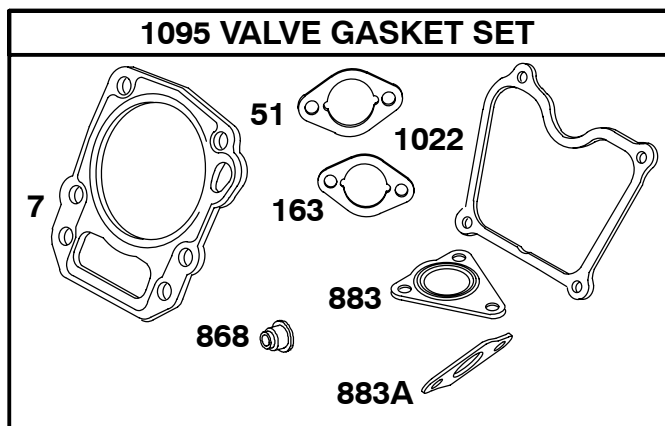
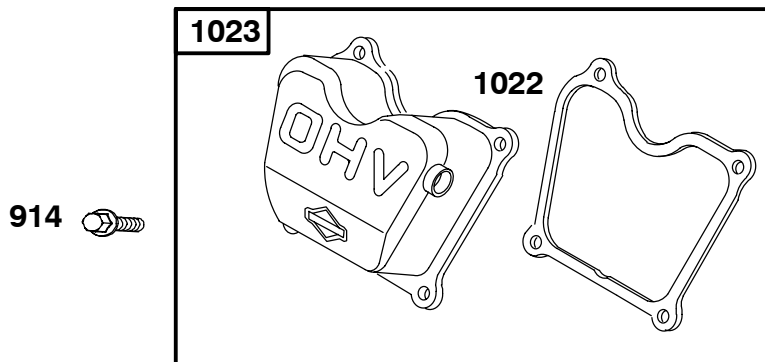
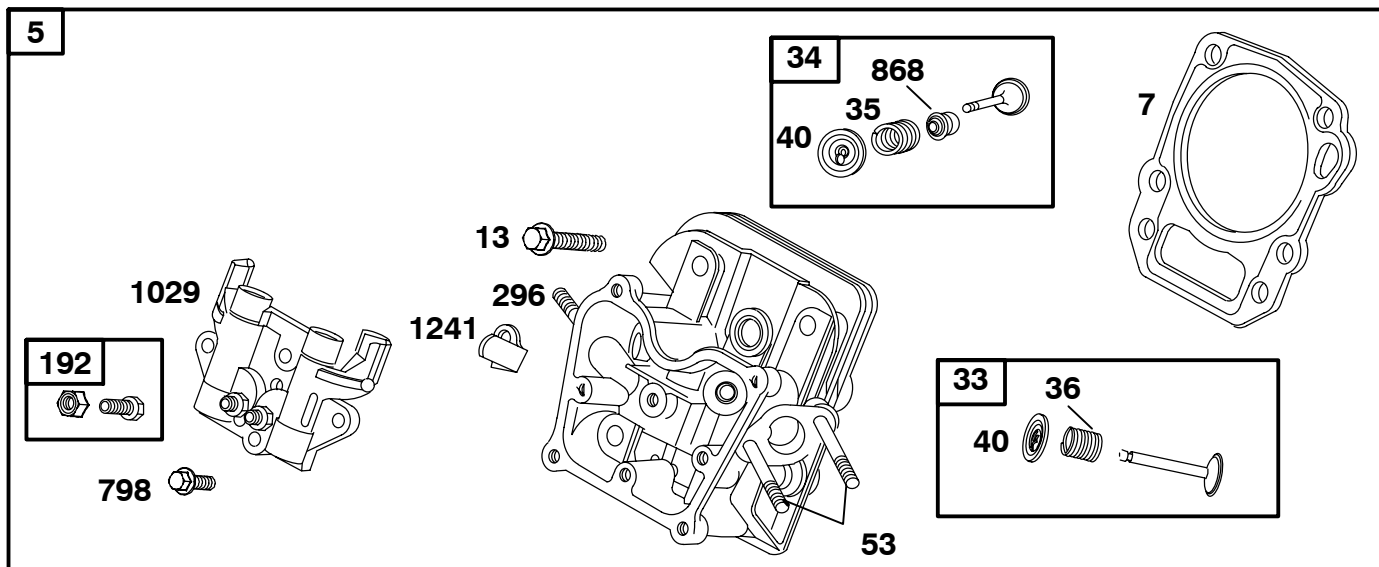


COPYRIGHT by BRIGGS & STRATTON CORPORATION
All rights reserved. No part of this material may be reproduced or transmitted, in any form or by any means, electronic or mechanical, including photocopying, recording or by any information storage and retrieval system, without permission in writing from Briggs & Stratton Corporation.



1058 OPERATOR'S MANUAL

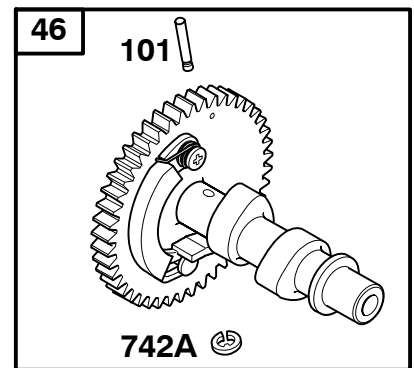
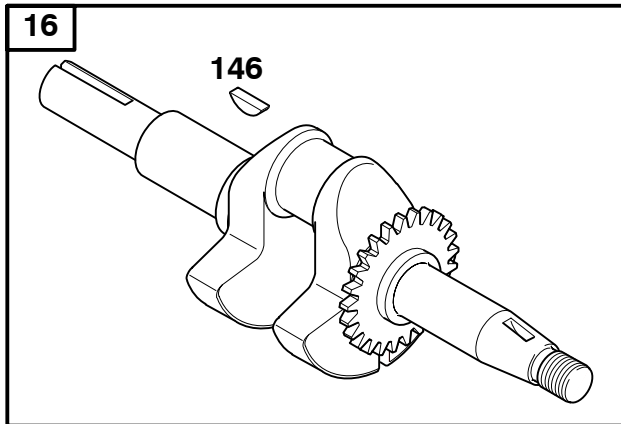
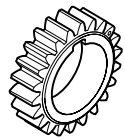
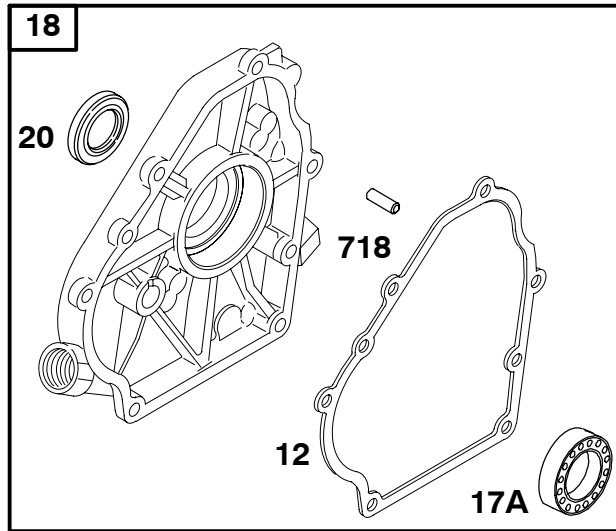
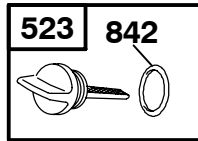
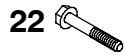


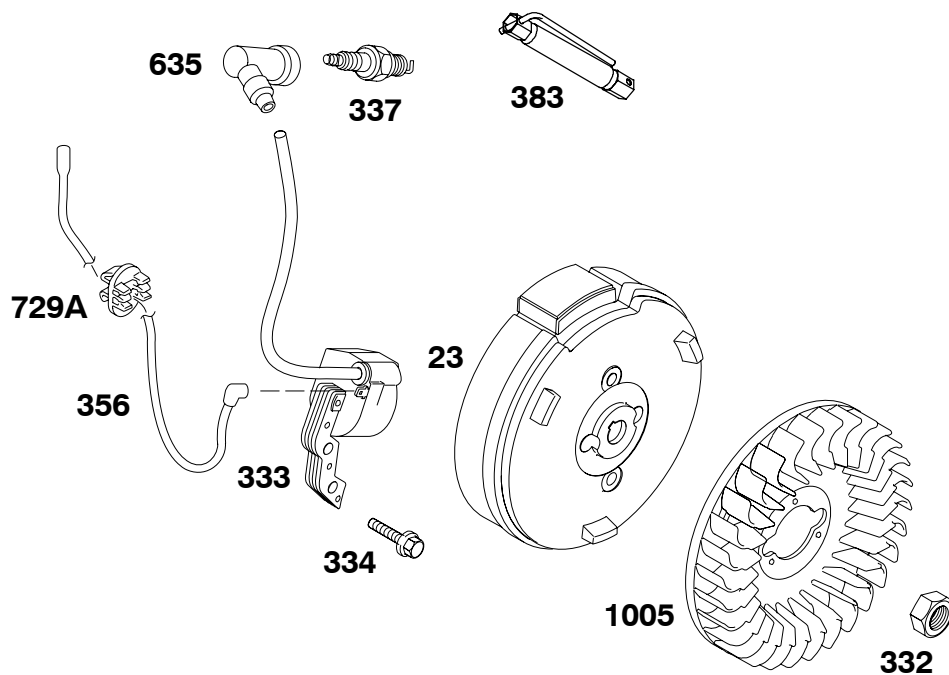


Illustrations cover a range of engines. Parts shown without corresponding text may not be used on your specific engine.
6004-3

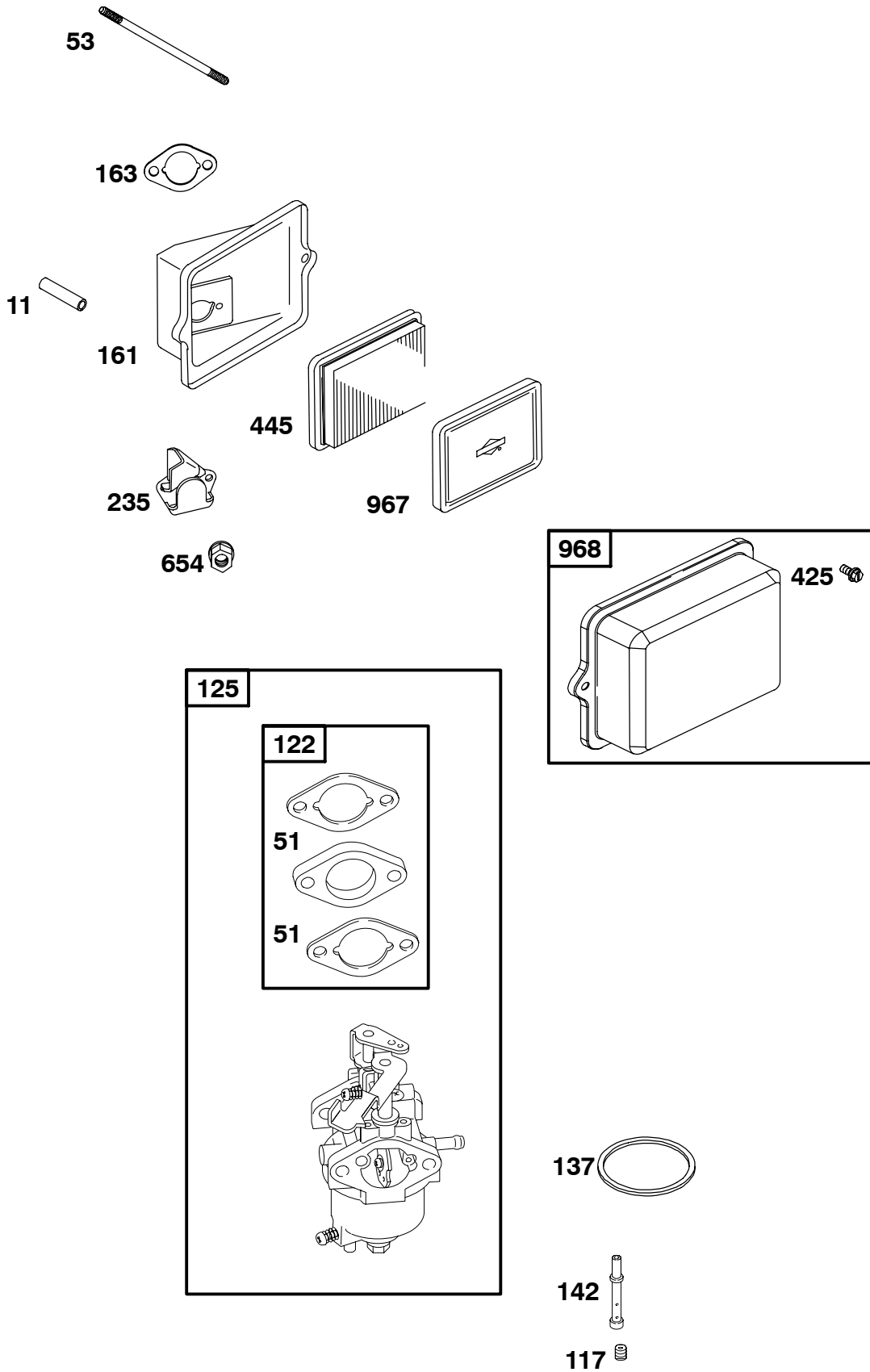
Assemblies include all parts shown in frames.

01/05/2007

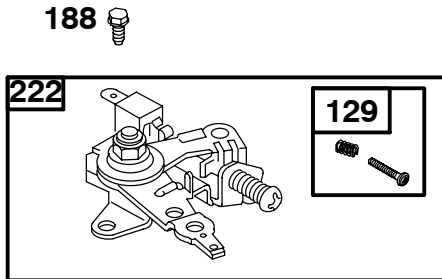
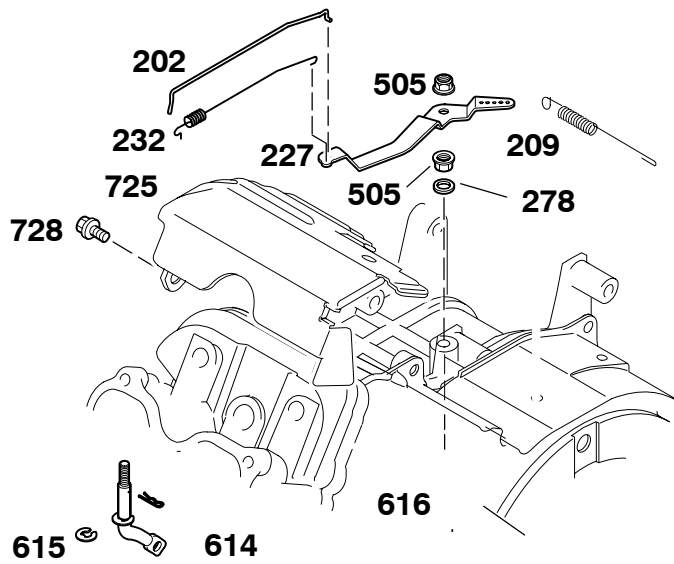




Illustrations cover a range of engines. Parts shown without corresponding text may not be used on your specific engine.

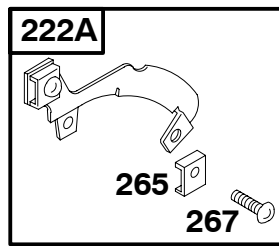


Illustrations cover a range of engines. Parts shown without corresponding text may not be used on your specific engine.

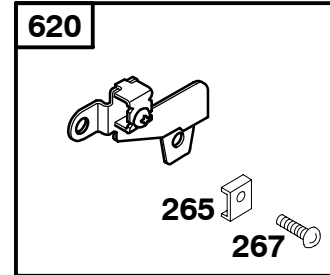


485

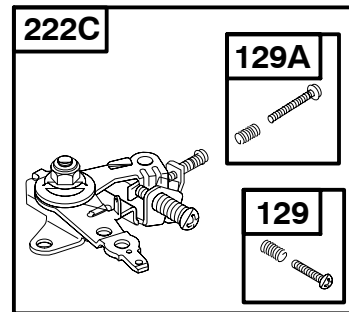
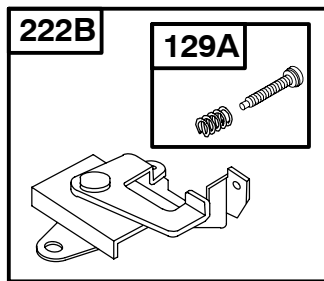
188



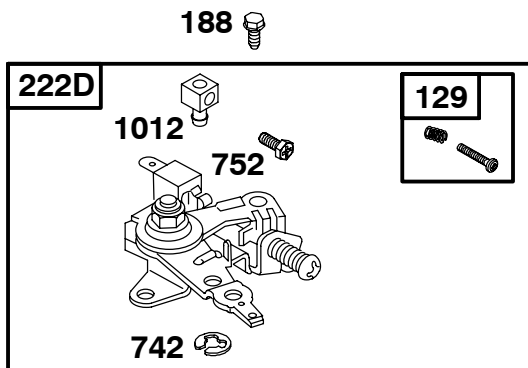
188A



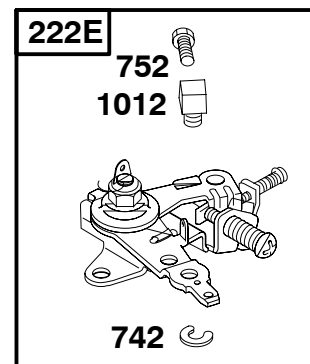
65



485



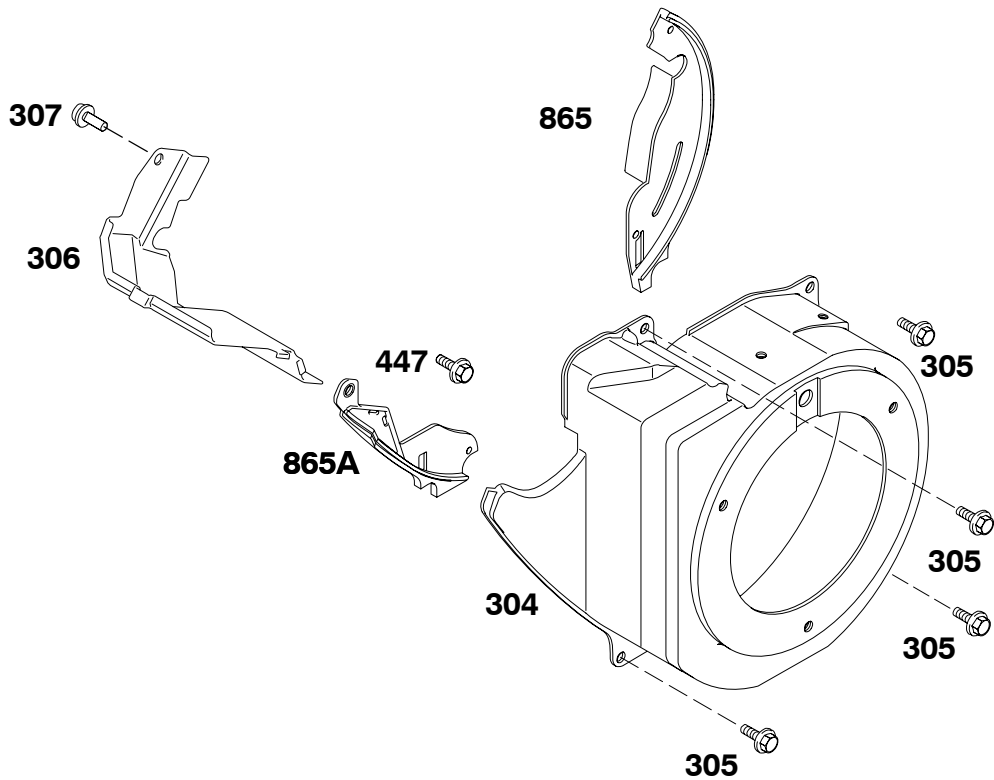
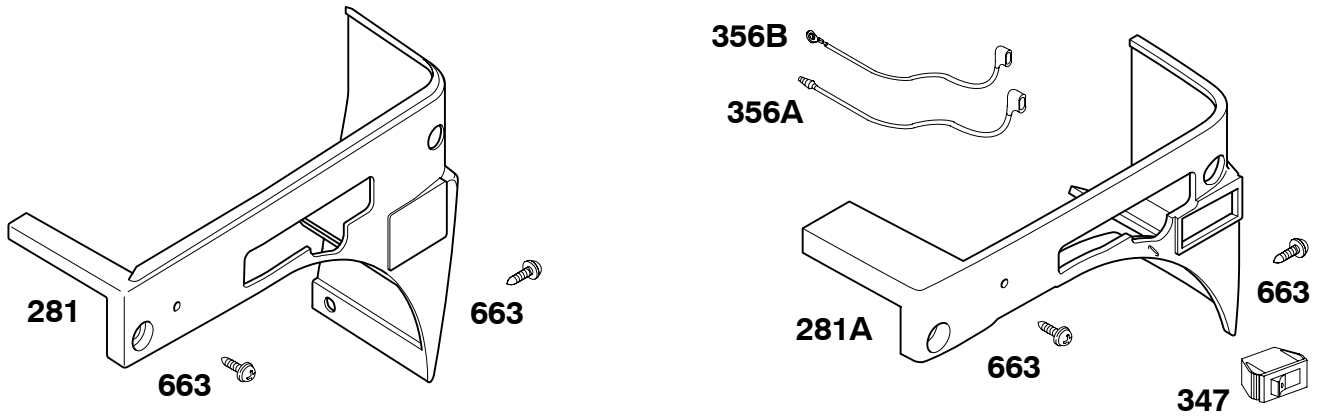
485



Illustrations cover a range of engines. Parts shown without corresponding text may not be used on your specific engine.
6004-7

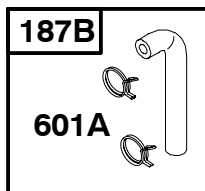
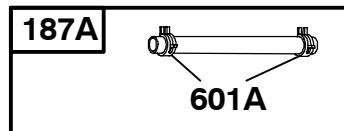
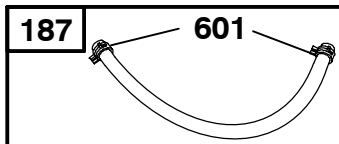
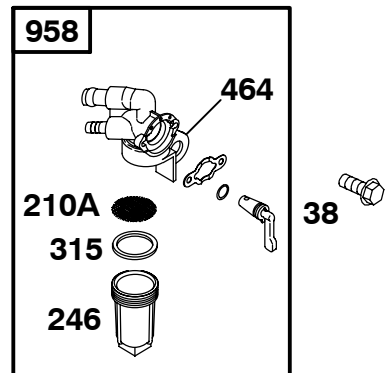
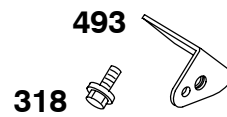
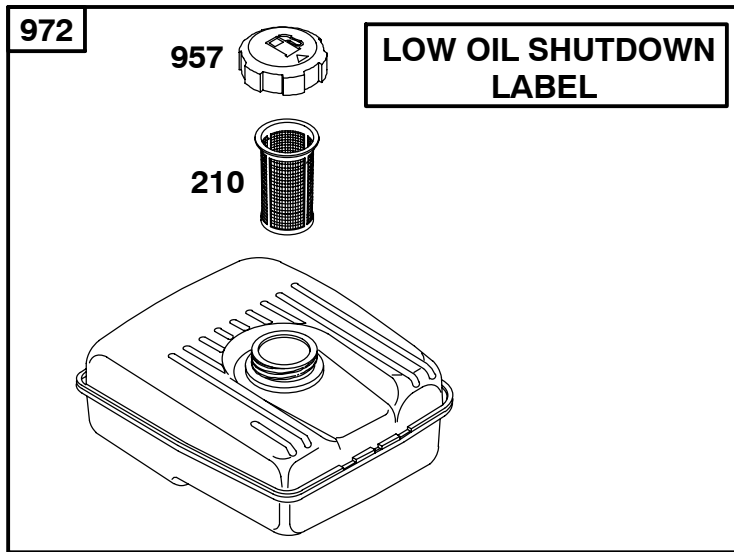
Assemblies include all parts shown in frames.

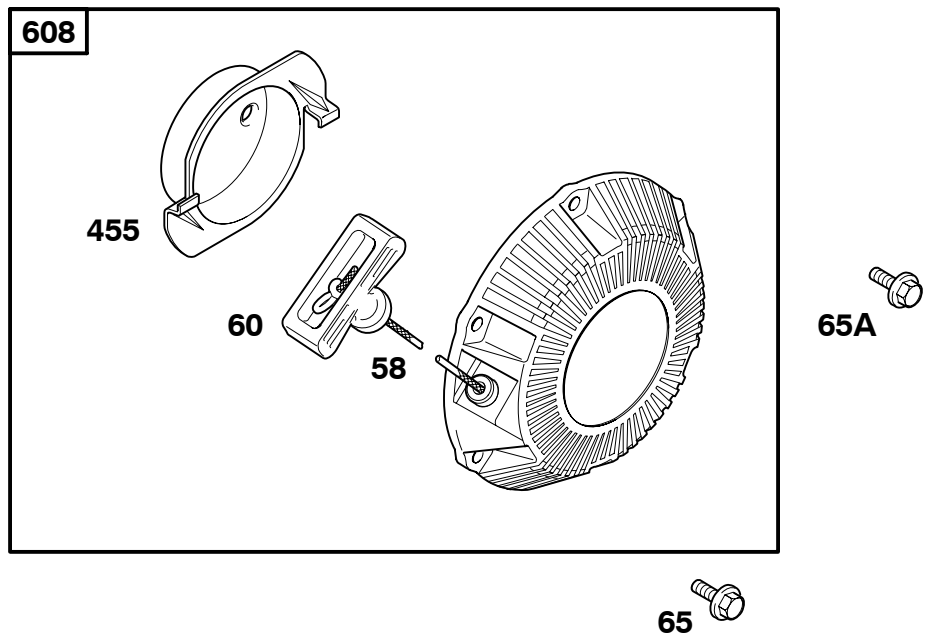
01/05/2007

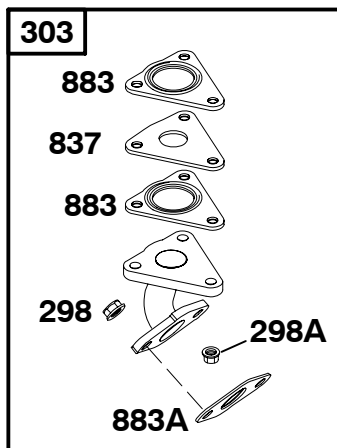
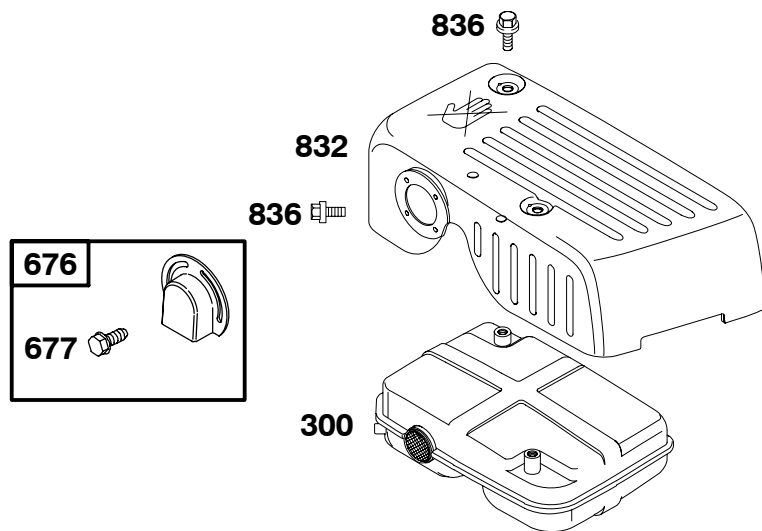


1036 EMISSIONS LABEL

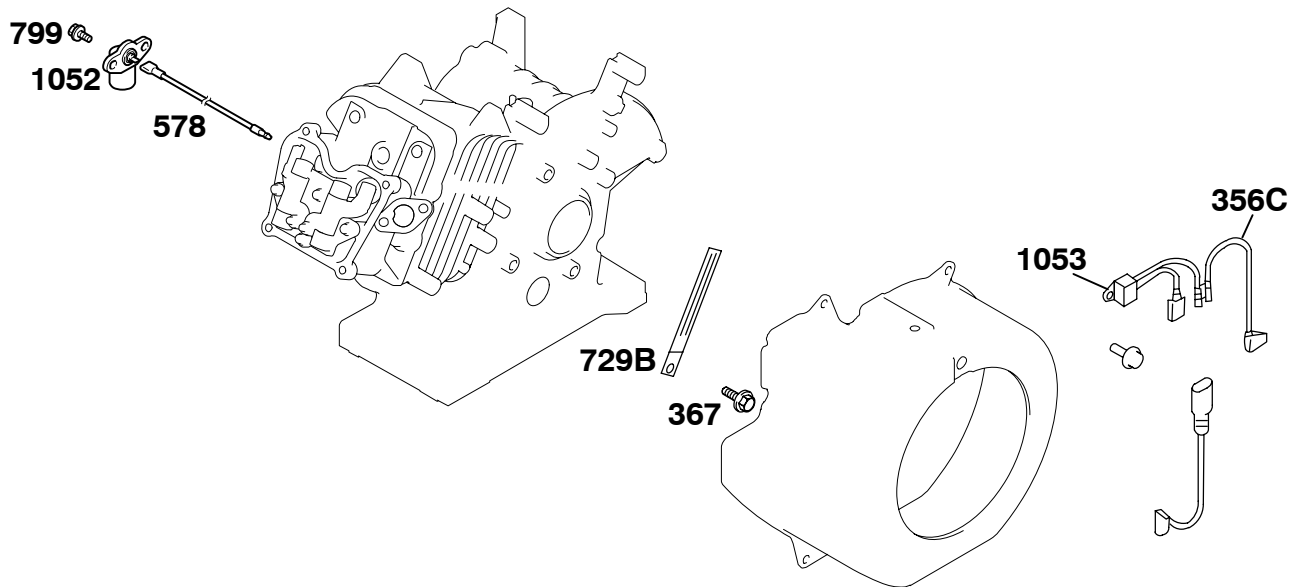








Illustrations cover a range of engines. Parts shown without corresponding text may not be used on your specific engine.



Illustrations cover a range of engines. Parts shown without corresponding text may not be used on your specific engine.

REF. NO.	PART NO.	DESCRIPTION	REF. NO.	PART NO.	DESCRIPTION	REF. NO.	PART NO.	DESCRIPTION
1	716050	Cylinder Assembly ----- Note ----- 716211 Cylinder Assembly Used on Type No(s). 0143.	26	715060	Ring Set (Standard) ----- Note ----- 715062 Ring Set (.020" Oversize)	163	Δ710639	Gasket-Air Cleaner
3	★710103	Seal-Oil (Magneto Side)	27	711494	Lock-Piston Pin	187	716125	Line-Fuel (8mm Inside Diameter)(Cut To Required Length)
5	716066	Head-Cylinder ----- Note ----- 716213 Head-Cylinder Used on Type No(s). 0143.	28	711733	Pin-Piston (Standard)	187A	716121	Line-Fuel (4mm Inside Diameter)(Cut to Required Length)
7	★Δ711732	Gasket-Cylinder Head	29	716059	Rod-Connecting (Standard)	187B	716119	Line-Fuel (4mm Inside Diameter)(Molded)(Cut to Required Length)
11	710115	Tube-Breather (Cut To Required Length)	32	710041	Screw (Connecting Rod)	188	710074	Screw (Control Bracket)
12	★711752	Gasket-Crankcase	33	716052	Valve-Exhaust	188A	710976	Screw (Control Bracket)
13	710020	Screw (Cylinder Head)	34	716051	Valve-Intake	190	711216	Screw (Fuel Tank)
15	715811	Plug-Oil Drain	35	711492	Spring-Valve (Intake)	192	715841	Adjuster-Rocker Arm
16	716053	Crankshaft (SAE 3/4 Inch Keyway) Used on Type No(s). 0086, 0135, 0139, 0145, 0146, ----- Note ----- 716082 Crankshaft (SAE 3/4 Inch Tapered) Used on Type No(s). 0137, 0138. 716091 Crankshaft (SAE 3/4 Inch Threaded) Used on Type No(s). 0136.	36	711492	Spring-Valve (Exhaust)	202	711737	Link-Mechanical Governor
17	711728	Bearing-Ball	38	710057	Screw (Shut Off Valve)	209	711648	Spring-Governor Used on Type No(s). 0086, 0135, 0136. ----- Note ----- 711649 Spring-Governor Used on Type No(s). 0138. 711650 Spring-Governor Used on Type No(s). 0137. 711843 Spring-Governor Used on Type No(s). 0139, 0143, 0145, 0146.
17A	711175	Bearing-Ball	40	711086	Retainer-Valve	210	710065	Strainer-Fuel
18	716058	Cover-Crankcase	45	711173	Tappet-Valve	210A	710071	Strainer-Fuel
20	★712070	Seal-Oil (PTO Side)	46	716241	Camshaft	219	715679	Gear-Governor
22	710032	Screw (Crankcase Cover/Sump)	51	★Δ710060	Gasket-Intake	220	710545	Washer (Governor Gear)
23	711735	Flywheel	53	710148	Stud (Carburetor)	221	710027	Cup-Governor
24	710037	Key-Flywheel	58	711539	Rope-Starter (Cut To Required Length)	222	715855	Bracket-Control Used on Type No(s). 0086.
25	716061	Piston Assembly (Standard) ----- Note ----- 716063 Piston Assembly (.020" Oversize)	60	711540	Grip-Starter Rope	222A	716089	Bracket-Control Used on Type No(s). 0135, 0136, 0143.
			65	710976	Screw (Rewind Starter)			
			65A	710057	Screw (Rewind Starter) (Qty. 1) Used on Type No(s). 0135, 0136, 0143.			
			101	711730	Pin-Shaft			
			117	711754	Jet-Main (Standard)			
			122	715034	Spacer-Carburetor			
			125	716034	Carburetor			
			129	715854	Screw/Spring-Governor Speed			
			129A	716094	Screw/Spring-Governor Speed			
			137	711763	Gasket-Float Bowl			
			142	711756	Nozzle-Carburetor (Standard)			
			146	710037	Key-Timing			
			161	711198	Base-Air Cleaner (Metal)			

★ Included in Engine Gasket Set-Ref. No.358.

Δ Included in Valve Gasket Set-Ref. No 1095.

Illustrations cover a range of engines. Parts shown without corresponding text may not be used on your specific engine.

086400

REF. NO.	PART NO.	DESCRIPTION	REF. NO.	PART NO.	DESCRIPTION	REF. NO.	PART NO.	DESCRIPTION
222B	715904	Bracket-Control Used on Type No(s). 0137, 0138.	305	710023	Screw (Blower Housing)	601	711998	Clamp-Hose
222C	715905	Bracket-Control Used on Type No(s). 0139, 0146.	306	711742	Shield-Cylinder	601A	711549	Clamp-Hose
222D	716096	Bracket-Control Used on Type No(s). 0135, 0136.	307	710023	Screw (Cylinder Shield)	608	716068	Starter-Rewind
222E	716214	Bracket-Control Used on Type No(s). 0143.	315	★710072	Seal-O Ring (Filter Bowl)	614	710056	Pin-Cotter
		----- Note ----- 716243 Bracket- Control Used on Type No(s). 0145.	318	710074	Screw (Mounting Bracket)	615	710154	Retainer-Governor Shaft
225	710028	Shaft-Governor Gear	332	710048	Nut (Flywheel)	616	711739	Crank-Governor
227	711740	Lever-Governor Control	333	711197	Armature-Magneto	620	716242	Panel-Speed Control Used on Type No(s). 0145.
232	711734	Spring-Governor Link	334	711142	Screw (Magneto Armature)	631	★711188	Washer (Oil Drain Plug)
235	710522	Shield-Fuel Spray	337	711252	Plug-Spark	635	710634	Boot-Spark Plug ----- Note ----- 712030 Boot-Spark Plug Used on Type No(s). 0145.
246	710070	Bowl-Fuel Filter	347	691995	Switch-Rocker (Without Light)	654	710068	Nut (Carburetor)
265	711506	Clamp-Casing ----- Note ----- 711682 Clamp-Casing Used on Type No(s). 0145.	356	710324	Wire-Stop ----- Note ----- 710097 Wire-Stop Used on Type No(s). 0143.	663	711249	Screw (Control Panel)
267	711683	Screw (Casing Clamp)	356A	710120	Wire-Stop	676	715230	Deflector-Muffler Used on Type No(s). 0135, 0136, 0138, 0143.
278	711516	Washer (Governor Control Lever)	356B	710087	Wire-Stop	677	710307	Screw (Muffler Deflector)
281	711749	Panel-Control	356C	711203	Wire-Stop	718	710005	Pin-Locating
281A	711842	Panel-Control Used on Type No(s). 0137, 0138, 0139, 0146.	358	716070	Gasket Set-Engine	725	711747	Shield-Heat
296	710099	Stud (Muffler)	367	711427	Screw (Wire Clip)	728	710023	Screw (Heat Shield)
298	710090	Locknut-Muffler/Elbow	383	19374	Wrench-Spark Plug	729A	710046	Clip-Wire
298A	710068	Locknut-Muffler/Elbow	425	694515	Screw (Air Cleaner Cover)	729B	710407	Clip-Wire
300	711761	Muffler	445	491588	Filter-Air Cleaner Cartridge	741	711729	Gear-Timing
303	716033	Elbow-Exhaust	447	710023	Screw (Air Guide Cover)	742	710477	Retainer-E Ring
304	711697	Housing-Blower (Red) Used on Type No(s). 0086, 0135, 0136, 0138. ----- Note ----- 711838 Housing- Blower (Black) Used on Type No(s). 0137, 0139, 0143, 0145, 0146.	455	711758	Cup-Flywheel	742A	710548	Retainer-E Ring
			464	★710069	Seal-O Ring (Fuel Shut-off Valve)	752	710478	Screw (Link Retainer)
			485	692295	Knob-Control	798	710234	Screw (Rocker Arm)
			493	711748	Bracket-Mounting	799	710057	Screw (Oil Sensor)
			505	711208	Nut (Governor Control Lever)	832	711698	Guard-Muffler
			523	716064	Dipstick	836	710074	Screw (Muffler Guard)
			578	711247	Wire Assembly (Oil Sensor)			

★ Included in Engine Gasket Set-Ref. No.358.

△ Included in Valve Gasket Set-Ref. No 1095.

Illustrations cover a range of engines. Parts shown without corresponding text may not be used on your specific engine.

REF. NO.	PART NO.	DESCRIPTION	REF. NO.	PART NO.	DESCRIPTION	REF. NO.	PART NO.	DESCRIPTION
837	711759	Spacer-Muffler	967	491435	Filter-Pre Cleaner	1036A	698979	Label-Emissions
842	★711521	Seal-O Ring (Dipstick Tube)	968	692321	Cover-Air Cleaner			Used on Type No(s). 0137, 0139, 0146.
865	711744	Cover-Air Guide (Opposite Cylinder Head Side)	972	716067	Tank-Fuel (Plastic)	1052	711246	Sensor-Oil
865A	711746	Cover-Air Guide (Cylinder Head Side)	1005	711738	Fan-Flywheel	1053	710305	Module-Oil Gard®
868	Δ712063	Seal-Valve	1012	710855	Retainer-Link	1058	MS3824	Operator's Manual
883	★Δ711245	Gasket-Exhaust	1022	★Δ711490	Gasket-Rocker Cover	1095	716071	Gasket Set-Valve
883A	★Δ711244	Gasket-Exhaust	1023	715930	Cover-Rocker	1241	711731	Plate-Valve Spring
914	710057	Screw (Rocker Cover)	1026	711493	Rod-Push			----- Note -----
957	711215	Cap-Fuel Tank (Plastic)	1029	715929	Arm-Rocker			712038 Plate-Valve Spring
958	715901	Valve-Fuel Shut Off (Plastic)	1036		Label-Emissions (Available from an Authorized Briggs & Stratton Service Dealer)			Used on Type No(s). 0143.

★ Included in Engine Gasket Set-Ref. No.358.

Δ Included in Valve Gasket Set-Ref. No 1095.

Illustrations cover a range of engines. Parts shown without corresponding text may not be used on your specific engine.