



PARTS LIST

BRUSHCUTTERS

BC-26W
BC-34W
BC-42W
BC-53W

(for Latin America)

APPLICABLE SERIAL NUMBERS:

January 2007

BC-26W	DRIVE UNIT	61200101 and up	BC-42W	DRIVE UNIT	61200101 and up
	ENGINE UNIT	61200101 and up		ENGINE UNIT	61200101 and up
BC-34W	DRIVE UNIT	61200101 and up	BC-53W	DRIVE UNIT	61200101 and up
	ENGINE UNIT	61200101 and up		ENGINE UNIT	61200101 and up

Fig.1 CUTTER GROUP

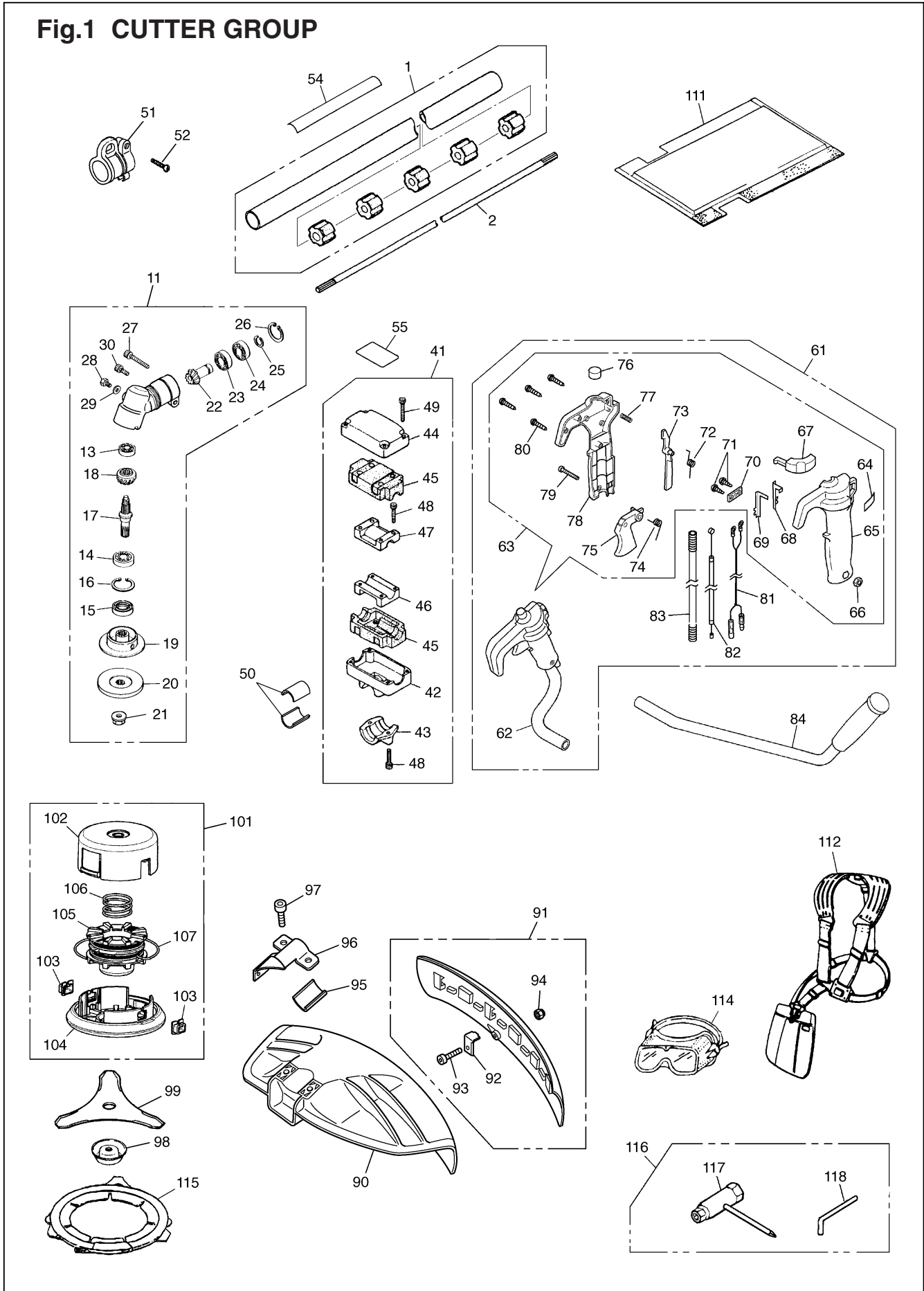


Fig.1 CUTTER GROUP

Key#	PART NUMBER	DESCRIPTION	Q'TY /UNIT	NOTE	Key#	PART NUMBER	DESCRIPTION	Q'TY /UNIT	NOTE
1	T3403-11301	PIPE COMP. 1500x24xT1.5	1		77	K5100-000050	•• SPRING	1	
2	3520-12213	SHAFT, spline ϕ 7x7teeth	1	1470x7	78	K2300-000040	•• GRIP (R)	1	
11	848JC86100	GEARCASE ASSY	1		79	B1111-A0530H	•• SCREW	1	M5x30
13	06000-00626	• BEARING	1		80	B1122-C4220H	•• SCREW, tapping	5	M4x20
14	06000-06000	• BEARING	1		81	K5200-000060	• CORD	1	
15	3565-13130	• SEAL	1		82	K5100-000130	• CABLE	1	
16	04065-02612	• SNAPRING	1		83	K5200-000080	• TUBE	1	
17	T3002-13210	• SHAFT	1		84	T3111-14300	HANDLE-L COMP.	1	
18	T3317-13220	• GEAR	1		90	848JJ766A0	GUARD	1	
19	6440-13242	• HOLDER (A)	1		91	848JJ76630	GUARD ASSY	1	
20	6019-13250	• HOLDER (B)	1		92	848JL066B2	• BLADE	1	
21	T3002-13260	• NUT	1		93	4820-72150	• BOLT TORX	1	M4x16
22	848JC061D0	• PINION	1		94	3238-13150	• NUT	1	M4
23	06001-00609	• BEARING	1		95	3550-14170	SPACER	1	
24	06000-00609	• BEARING	1		96	848JC266C0	CLAMP	1	
25	T3300-13330	• SNAPRING	1		97	T4950-63040	BOLT TORX	2	M6x30
26	04065-02412	• RING	1		98	848JG061J1	COVER	1	
27	T4950-53040	• BOLT TORX	1	M5x30	99	8488Z23060	BLADE	1	
28	T4950-60800	• BOLT TORX	1	M6x8	101	848JJ76910	TAP HEAD ASSY	1	
29	01641-20608	• WASHER	1		102	848JJ769M0	• CASE	1	
30	T4950-51200	• BOLT TORX	1	M5x12	103	T3189-15191	• EYELET	2	
41	848JJ73230	BRACKET ASSY	1		104	T3189-15132	• COVER	1	
42	3540-14910	• BRACKET	1		105	T3189-15142	• CORD HOLDER	1	
43	3540-14920	• CAP-L	1		106	T3189-15160	• SPRING	1	
44	3540-14930	• CAP-U	1		107	T3189-15180	• CORD	1	
45	3540-14140	• ABSORBER	2		111	848B8138A1	PROTECTOR	1	
46	3540-14150	• CLAMP (A)	1		112	848JJ73610	HARNESS ASSY	1	
47	3540-14160	• CLAMP (B)	1		114	6242-92110	GOGGLE	1	
48	T4950-52550	• BOLT	6		115	848JL092B1	COVER BLADE	1	
49	4820-21310	• BOLT	4		116	8488U00140	TOOL SET	1	
50	3550-14170	SPACER	2		117	8488U10050	• SOCKET	1	
51	T3300-17202	HANGER ASSY	1		118	3540-91110	• BAR	1	
52	8488052000	SCREW	1						
54	848JPL90R0	PLATE , NAME	1						
55	848JJ790U0	LABEL, BRACKET	1						
61	T3111-14100	HANDLE-R ASSY	1						
62	T3111-14110	• HANDLE-R	1						
63	K6010-000550	• GRIP&LEV COMP.	1						
64	K2200-000040	•• LABEL	1						
65	K2300-000050	•• GRIP (L)	1						
66	B1181-040545	•• NUT	1						
67	K2300-000080	•• SWITCH	1						
68	K5100-000030	•• SPRING	1						
69	K5100-000040	•• SPRING	1						
70	K2300-000090	•• HOLDER	1						
71	B1122-C2910H	•• SCREW, tapping	2	M3x10					
72	K5100-000020	•• SPRING	1						
73	K2300-000070	•• LEVER	1						
74	K5100-000010	•• SPRING	1						
75	K2300-000060	•• LEVER	1						
76	K1300-000060	•• PLUG	1						

Fig.2 ENGINE GROUP

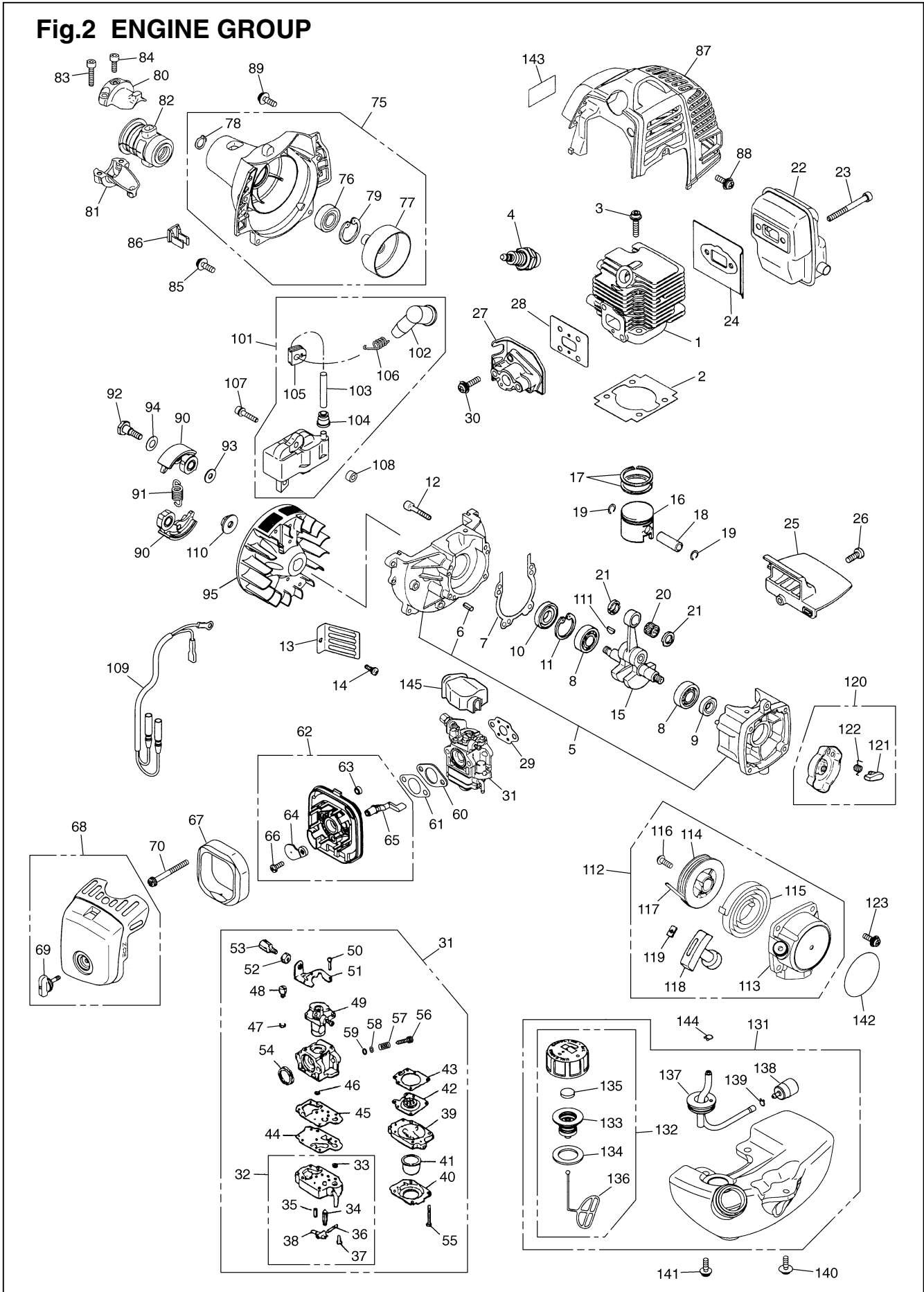


Fig.2 ENGINE GROUP

Key#	PART NUMBER	DESCRIPTION	Q'TY /UNIT	NOTE	Key#	PART NUMBER	DESCRIPTION	Q'TY /UNIT	NOTE
1	T1800-12110	CYLINDER	1		68	T1701-82200	COVER, ASSY	1	
2	5500-12213	GASKET, cylinder	1		69	5500-82221	• KNOB	1	
3	1850-12130	BOLT	2	M5x22	70	0263-90560	SCREW	2	M5x60
4	5933-73110	SPARK PLUG (NGK)	1	BPMR7A					
5	5500-21100	CRANKCASE COMP.	1		75	848EGR5310	HOUSING ASSY	1	
6	2629-21130	• PIN	3		76	T1701-31150	• BEARING	1	
7	5500-21141	GASKET	1		77	848F3051A1	• DRUM	1	
8	06030-06001	BEARING	2		78	04064-01210	• RING	1	ø12
9	2169-21210	SEAL	1		79	04065-02812	• RING	1	ø28
10	1850-21220	SEAL	1		80	T1700-31212	BRACKET (A)	1	
11	04065-02812	SNAP RING	1	ø28	81	T1700-31221	BRACKET (B)	1	
12	01252-30530	BOLT	4	M5x30	82	T1700-31232	CUSHION	1	
13	5500-22110	GUARD	1		83	01252-30522	BOLT	2	M5x22
14	0263-90514	SCREW	1	M5x14	84	01252-30510	BOLT	1	M5x10
15	5500-42001	CRANKSHAFT COMP.	1		85	0263-90520	SCREW	4	M5x20
16	5910-41110	PISTON	1	ø34	86	T1600-72210	CLAMP	1	
17	5910-41210	RING, piston	2	ø34	87	848EGR31A0	COVER, engine	1	
18	1600-41310	PIN	1		88	T1700-32162	SCREW	1	M5x16
19	1260-41320	RING	2		89	0263-90514	SCREW	1	M5x14
20	5500-41410	BEARING	1		90	848EA051D0	SHOE, clutch	2	
21	1101-41340	WASHER	2		91	T1700-51220	SPRING	1	
22	T1700-15110	MUFFLER	1		92	1140-51250	SCREW	2	
23	01252-30550	BOLT	2	M5x50	93	1140-51230	WASHER	2	
24	T1600-15210	GASKET	1		94	T1600-51240	WASHER	2	
25	5500-15221	PLATE	1		95	T1700-71110	ROTOR	1	
26	0263-90416	SCREW	1	M4x16					
27	T1700-13160	INSULATOR	1		101	T1700-71201	COIL ASSY	1	
28	5500-13121	GASKET, insulator	1		102	5500-72110	• CAP	1	
29	5500-13131	GASKET, cab	1		103	T1700-71220	• CORD	1	
30	0263-90520	SCREW	2	M5x20	104	2616-71320	• CAP	1	
31	T1802-81000	CARBURETOR ASSY	1	WYJ-290	105	5500-72130	• GROMMET	1	
32	1794-81450	• BODY ASSY	1		106	5500-72120	• SPRING	1	
33	3306-81380	•• SCREEN	1		107	3310-72150	BOLT	2	M4x20
34	3356-81310	•• VALVE	1		108	T1700-71260	SPACER	2	
35	1794-81270	•• SPRING	1		109	T1700-73200	CORD COMP.	1	
36	1850-81220	•• SCREW	1		110	1650-43230	NUT	1	M8
37	3310-81250	•• PIN	1		111	1000-43240	KEY	1	
38	3310-81230	•• LEVER	1		112	5500-75100	RECOIL ASSY	1	
39	1850-81490	• BODY, purge	1		113	5500-75110	• CASE COMP.	1	
40	1850-81520	• COVER, pump	1		114	1850-75120	• REEL	1	
41	1751-81510	• PUMP, priming	1		115	1850-75130	• SPRING	1	
42	3310-81260	• DIAPHRAGM	1		116	1850-75151	• SCREW	1	
43	1850-81470	• GASKET, diaphragm	1		117	1850-75160	• ROPE	1	
44	1065-81420	• DIAPHRAGM, pump	1		118	1140-75320	• KNOB	1	
45	1065-81410	• GASKET, pump	1		119	5500-75170	• PLATE	1	
46	5500-81160	• WASHER	1		120	1850-75201	PULLY, ASSY	1	
47	1751-81130	• RING	1		121	1850-75221	• RATCHET	1	
48	1881-81140	• SWIVEL	1		122	1850-75230	• SPRING	1	
49	T1700-81150	• VALVE ASSY	1		123	T1700-32162	SCREW	4	M5x16
50	1752-81110	• SCREW	2						
51	5500-81120	• BRACKET	1		131	T1800-85001	TANK ASSY	1	
52	1751-81180	• NUT, adjuster	1		132	5607-85201	• CAP ASSY	1	
53	1918-81170	• SCREW, adjuster	1		133	5601-85300	•• HOLDER ASSY	1	
54	1881-81130	• RING	1		134	5500-85220	•• PACKING	1	
55	1850-81530	• SCREW	4		135	5601-85260	•• FILTER	1	
56	T1802-81610	• NEEDLE	1		136	4820-85260	•• STOPPER	1	
57	1491-81160	• SPRING	1		137	5500-85300	• PIPE COMP	1	
58	1881-81190	• WASHER	1		138	5500-85400	• FILTER	1	
59	1881-81240	• O-RING	1		139	1260-85460	• CLIP	1	
60	T1825-82510	PLATE	1		140	5910-85510	SCREW	1	M5x16
61	T1825-82520	GASKET	1		141	5500-85510	SCREW	2	M5x16
62	T1700-82100	BODY ASSY	1		142	848EGR90C0	LABEL, recoil	1	
63	1970-82190	• SLEEVE	2		143	848EGR90B0	LABEL, cover	1	
64	T1700-82130	• PLATE, choke	1		144	1950-86120	CLIP	1	
65	T1700-82140	• LEVER, choke	1		145	4500-81910	COVER	1	
66	2630-33610	• SCREW	1						
67	5500-82171	ELEMENT	1						

Fig.3 CUTTER GROUP

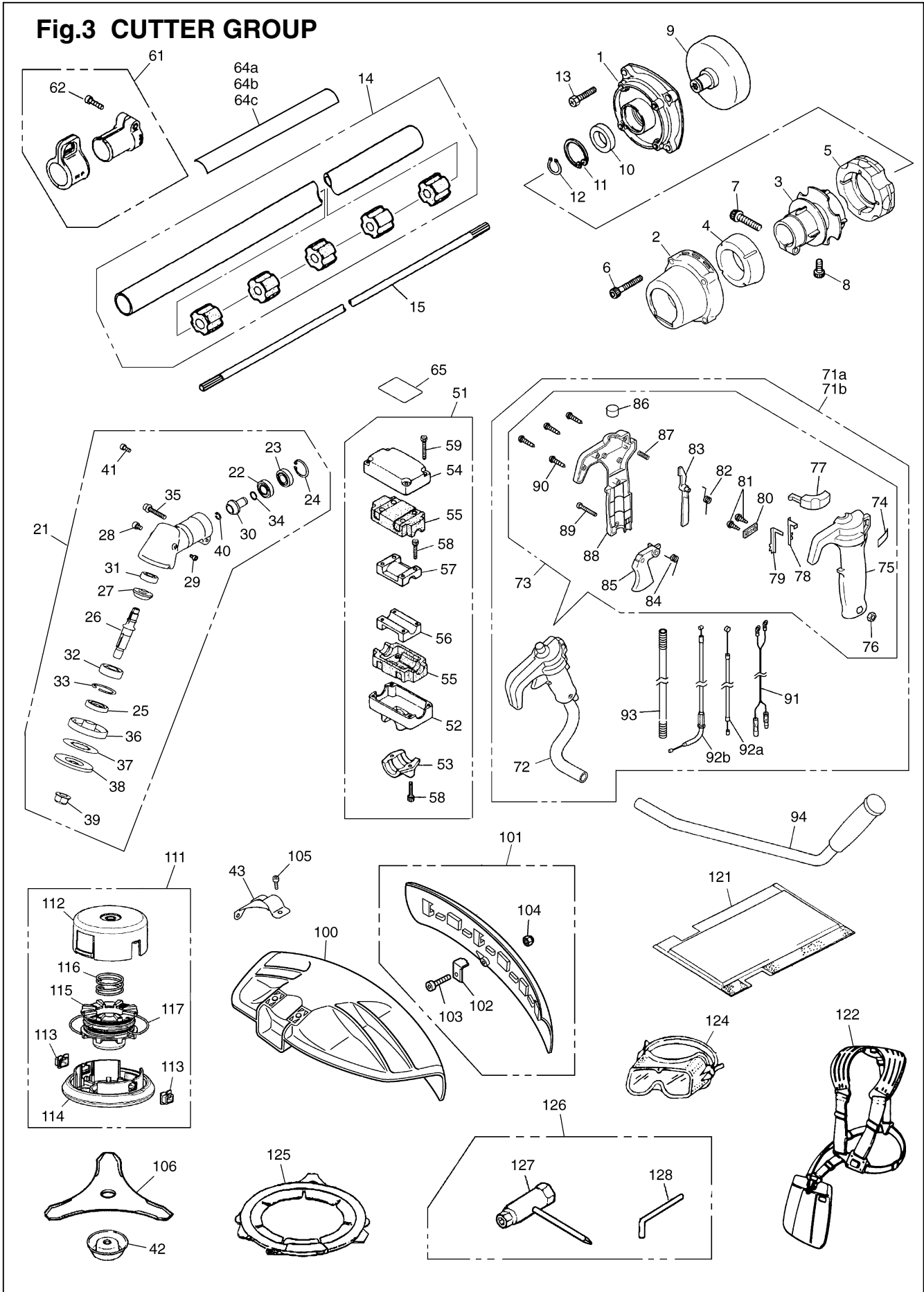


Fig.3 CUTTER GROUP

Key#	PART NUMBER	DESCRIPTION	Q'TY /UNIT	NOTE	Key#	PART NUMBER	DESCRIPTION	Q'TY /UNIT	NOTE
1	848JJ753A0	HOUSING	1		65	848JJ790U0	LABEL, BRACKET	1	
2	848JJ753L0	CAP	1		71a	T3113-14100	HANDLE-R ASSY	1	34W/42W
3	T3042-11210	JOINT	1		71b	T3117-14100	HANDLE-R ASSY	1	53W
4	4050-11250	ABSORBER-F	1		72	T3111-14110	•HANDLE-R	1	
5	4050-11260	ABSORBER-R	1		73	K6010-000550	•GRIP&LEV, COMP.	1	
6	4820-21310	BOLT	4	M5x30	74	K2200-000040	•• LABEL	1	
7	T4950-63040	BOLT	1	M6x30	75	K2300-000050	•• GRIP (L)	1	
8	4820-12350	BOLT	1	M5x10	76	B1181-040545	•• NUT	1	
9	848B8151A1	DRUM	1		77	K2300-000080	•• SWITCH	1	
10	06004-06202	BEARING	1		78	K5100-000030	•• SPRING	1	
11	04065-03515	RING	1		79	K5100-000040	•• SPRING	1	
12	04064-01510	RING	1		80	K2300-000090	•• HOLDER	1	
13	T4950-62040	BOLT	4	M6x20	81	B1122-C2910H	•• SCREW, Tapping	2	M3x10
14	T3042-12100	PIPE COMP.	1		82	K5100-000020	•• SPRING	1	
15	6340-12211	SHAFT	1		83	K2300-000070	•• LEVER	1	
21	848JJ76100	GEARCASE ASSY	1		84	K5100-000010	•• SPRING	1	
22	06000-06001	• BEARING	1		85	K2300-000060	•• LEVER	1	
23	06001-06001	• BEARING	1		86	K1300-000060	•• PLUG	1	
24	04065-02812	• RING	1		87	K5100-000050	•• SPRING	1	
25	8488AL3500	• SEAL	1		88	K2300-000040	•• GRIP (R)	1	
26	848JJ761B0	• SHAFT	1		89	B1111-A0530H	•• SCREW	1	M5x30
27	848JL061C2	• GEAR	1		90	B1122-C4220H	•• SCREW, Tapping	5	M4x20
28	T4950-60800	• BOLT TORX M6xL8 T27	1		91	K5200-000070	• CORD	1	
29	T4950-40800	• BOLT TORX M4xL8 T27	1		92a	K5100-000130	• CABLE	1	34W/42W
30	848JJ761D0	• PINION	1		92b	K5100-000140	• CABLE	1	53W
31	06000-06000	• BEARING	1		93	K5200-000080	• TUBE	1	
32	06004-06202	• BEARING	1		94	T3111-14300	HANDLE-L COMP.	1	
33	04065-03515	• RING, SNAP	1		100	848JJ766A0	GUARD	1	
34	3130-13270	• RING	1		101	848JJ76630	GURD ASSY	1	
35	T4950-63540	• BOLT TORX	1		102	848JL066B2	• BLADE	1	
36	848JL061F3	• HOLDER (A)	1		103	4820-72150	• BOLT TORX M4xL16 T27	1	
37	848JL061L2	• PLATE	1		104	3238-13150	• NUT	1	
38	848JL061G2	• HOLDER (B)	1		105	T4950-63040	BOLT TORX M6xL30 T27	2	
39	848JL061K1	• NUT M12xP1.25	1		106	8488Z23060	BLADE	1	
40	04065-01110	• SNAP RING	1		111	848JJ76910	TAPHEAD ASSY	1	
41	T1501-32120	• BOLT TORX M5xL12 T27	1		112	848JJ769M0	• CASE	1	
42	848JG061J1	COVER	1		113	T3189-15191	• EYELET	2	
43	848JL066C2	CLAMP	1		114	T3189-15132	• COVER	1	
51	848JJ73230	BRACKET ASSY	1		115	T3189-15142	• CORD HOLDER	1	
52	3540-14910	• BRACKET	1		116	T3189-15160	• SPRING	1	
53	3540-14920	• CAP-L	1		117	T3189-15180	• CORD	1	
54	3540-14930	• CAP-U	1		121	848B8138A1	PROTECTOR	1	
55	3540-14140	• ABSORBER	2		122	848JJ73610	HARNESS ASSY	1	
56	3540-14150	• CLAMP (A)	1		124	6242-92110	GOGGLE	1	
57	3540-14160	• CLAMP (B)	1		125	848JL092B1	COVER BLADE	1	
58	T4950-52500	• BOLT	6		126	8488U00140	TOOL SET	1	
59	4820-21310	• BOLT	4		127	8488U10050	• SOCKET	1	
61	848JL23812	HANGER ASSY			128	3540-91110	• BAR	1	
62	4820-13180	• BOLT TORX M5xL20 T27	1						
64a	848JE990R0	PLATE , NAME	1	34W					
64b	848JJ790R0	PLATE , NAME	1	42W					
64c	848JL690R0	PLATE , NAME	1	53W					

Fig.4 ENGINE GROUP

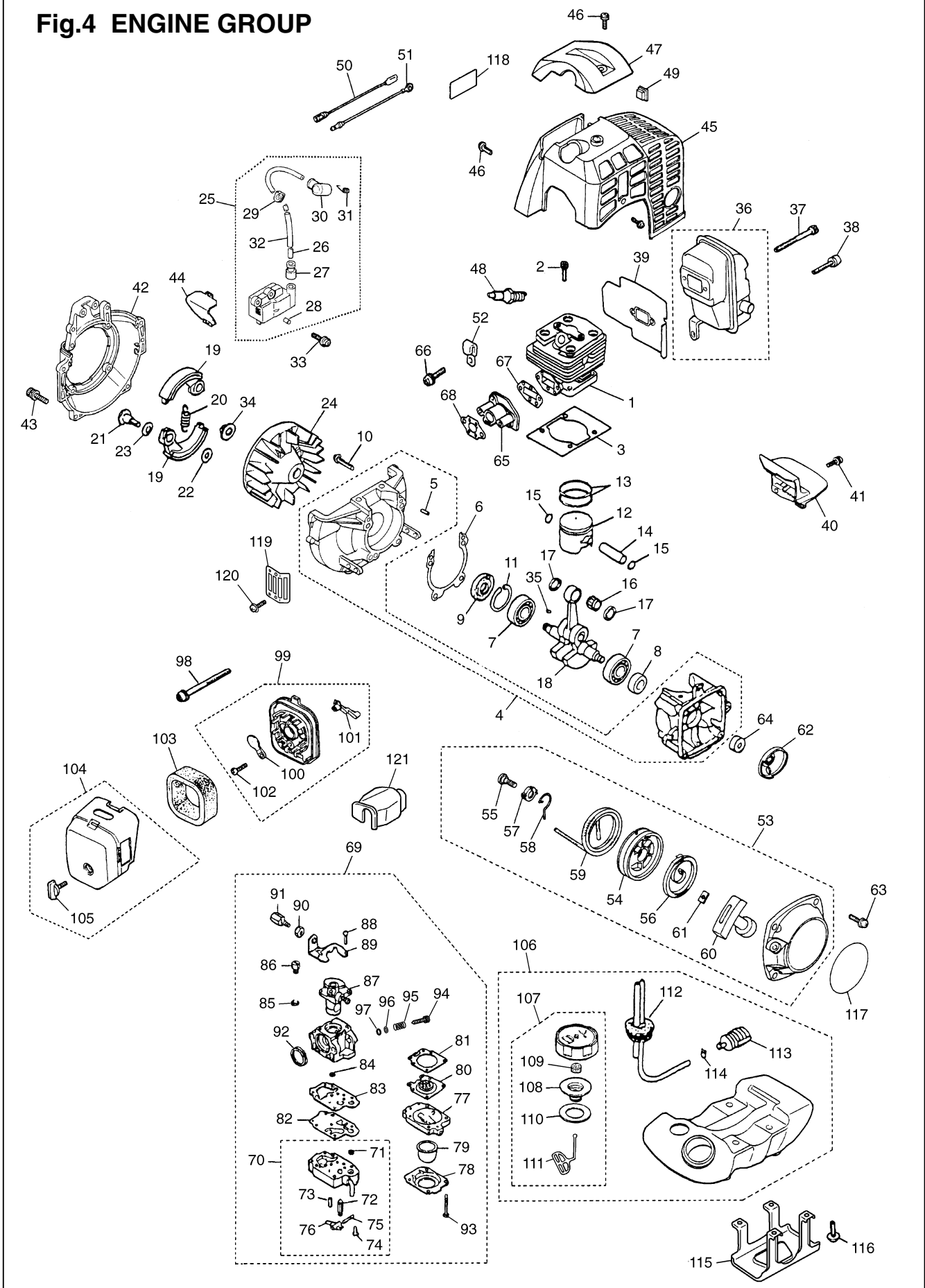


Fig.4 ENGINE GROUP

Key#	PART NUMBER	DESCRIPTION	Q'TY /UNIT	NOTE	Key#	PART NUMBER	DESCRIPTION	Q'TY /UNIT	NOTE
1	T1151-12110	CYLINDER	1		62	4500-75210	PULLEY	1	
2	1850-12130	BOLT	4	M5x20	63	4500-75511	SCREW	4	
3	4500-13120	GASKET, cylinder	1		64	4700-75310	COLLAR	1	
4	4500-21101	CRANKCASE COMP.	1		65	4500-13161	INSULATOR	1	
5	2629-21130	• PIN	3		66	4500-13181	SCREW	2	
6	4500-21140	GASKET, case	1		67	848G6014B1	GASKET, insulator	1	
7	06030-06201	BEARING	2		68	4500-13130	GASKET, carburetor	1	
8	4810-21210	OIL SEAL	1		69	T1157-81000	CARBURETOR ASSY	1	WYK-155
9	1650-21220	OIL SEAL	1		70	1850-81450	• BODY ASSY	1	
10	01252-30530	BOLT	4	M5x30	71	3306-81380	•• SCREEN	1	
11	04065-03212	SNAP RING	1		72	3356-81310	•• VALVE	1	
12	4700-41110	PISTON	1		73	1850-81270	•• SPRING	1	
13	1650-41210	RING, piston	2		74	1850-81220	•• SCREW	1	
14	1030-41310	PIN	1		75	3310-81250	•• PIN	1	
15	1300-41320	RING	2		76	3310-81230	•• LEVER	1	
16	T2100-41410	BEARING	1		77	1850-81490	• BODY, purge	1	
17	2850-41510	WASHER	2		78	1850-81520	• COVER, pump	1	
18	4500-42000	CRANKSHAFT COMP.	1		79	1751-81510	• PUMP, priming	1	
19	1400-51111	SHOE, clutch	2		80	3310-81260	• DIAPHRAGM	1	
20	1651-51220	SPRING	1		81	1850-81470	• GASKET, diaphragm	1	
21	1200-51211	SCREW	2		82	1065-81420	• DIAPHRAGM, pump	1	
22	1200-51230	WASHER	2		83	1065-81410	• GASKET, pump	1	
23	1200-51241	WASHER	2		84	5500-81160	• WASHER	1	
24	T1153-71110	ROTOR	1		85	1751-81130	• RING	1	
25	T1153-71200	COIL ASSY	1		86	1881-81140	• SWIVEL	1	
26	4500-71220	• CORD	1		87	4700-81150	• VALVE ASSY	1	
27	2616-71320	• CAP	1		88	1752-81110	• SCREW	2	
28	T1153-71250	• PIN	2		89	5500-81120	• BRACKET	1	
29	5500-72130	• GROMMET	1		90	1751-81180	• NUT, adjuster	1	
30	5500-72110	• CAP, plug	1		91	5730-81170	• SCREW, adjuster	1	
31	5500-72120	• SPRING	1		92	1881-81130	• RING	1	
32	T1512-71320	• TUBE	1		93	1850-81530	• SCREW	4	
33	3350-14150	BOLT	2	M4x20	94	1484-81610	• NEEDLE, high	1	
34	1650-43230	NUT	1		95	1491-81160	• SPRING	1	
35	1000-43240	KEY	1		96	1881-81190	• WASHER	1	
36	4700-15110	MUFFLER	1		97	1881-81240	• O-RING	1	
37	01252-30560	BOLT	2	M5x60	98	0263-90550	SCREW	2	
38	3310-31720	BOLT	1	M5x14	99	T1184-82101	BODY ASSY	1	
39	4700-15211	GASKET	1		100	T1184-82130	• PLATE, choke	1	
40	4500-15221	PLATE	1		101	4500-82140	• LEVER, choke	1	
41	0263-90514	SCREW	1		102	2630-33610	• SCREW	1	
42	848G4653G0	COVER	1		103	4500-82170	ELEMENT	1	
43	3310-12281	BOLT	4	M5x20	104	4500-82202	COVER ASSY	1	
44	4500-31210	PLATE	1		105	5500-82221	• KNOB	1	
45	848G4631A0	COVER	1		106	T1013-85002	TANK ASSY	1	
46	4500-32120	SCREW	4		107	T1015-85202	• CAP ASSY	1	
47	4500-32210	GUARD	1		108	4500-85300	•• HOLDER ASSY	1	
48	5933-73110	SPARKPLUG	1	BPMR7A	109	5601-85260	•• FILTER	1	
49	1852-72121	GROMMET	1		110	4500-85220	•• PACKING	1	
50	T1153-71240	CORD	1		111	4820-85260	•• STOPPER	1	
51	T1006-73230	CORD, earth	1		112	5500-85300	• PIPE COMP.	1	
52	8488K40010	CLAMP	1		113	3302-85400	• FILTER ASSY	1	
53	4500-75100	RECOIL ASSY	1		114	1260-85460	• CLIP	1	
54	4500-75120	• REEL	1		115	T1184-31911	GUARD	1	
55	4500-75150	• SCREW	1		116	0263-90525	SCREW	4	
56	1850-75130	• SPRING	1		117	848G4690C0	LABEL, recoil	1	
57	4500-75180	• COLLAR	1		118	848G4690B0	LABEL,cover	1	
58	4500-75190	• ARM	1		119	4500-22110	GUARD	1	
59	4500-75160	• ROPE	1		120	0263-90514	SCREW	1	M5x14
60	1140-75320	• KNOB	1		121	4500-81910	COVER	1	
61	5500-75170	• PLATE, stopper	1						

Fig.5 ENGINE GROUP

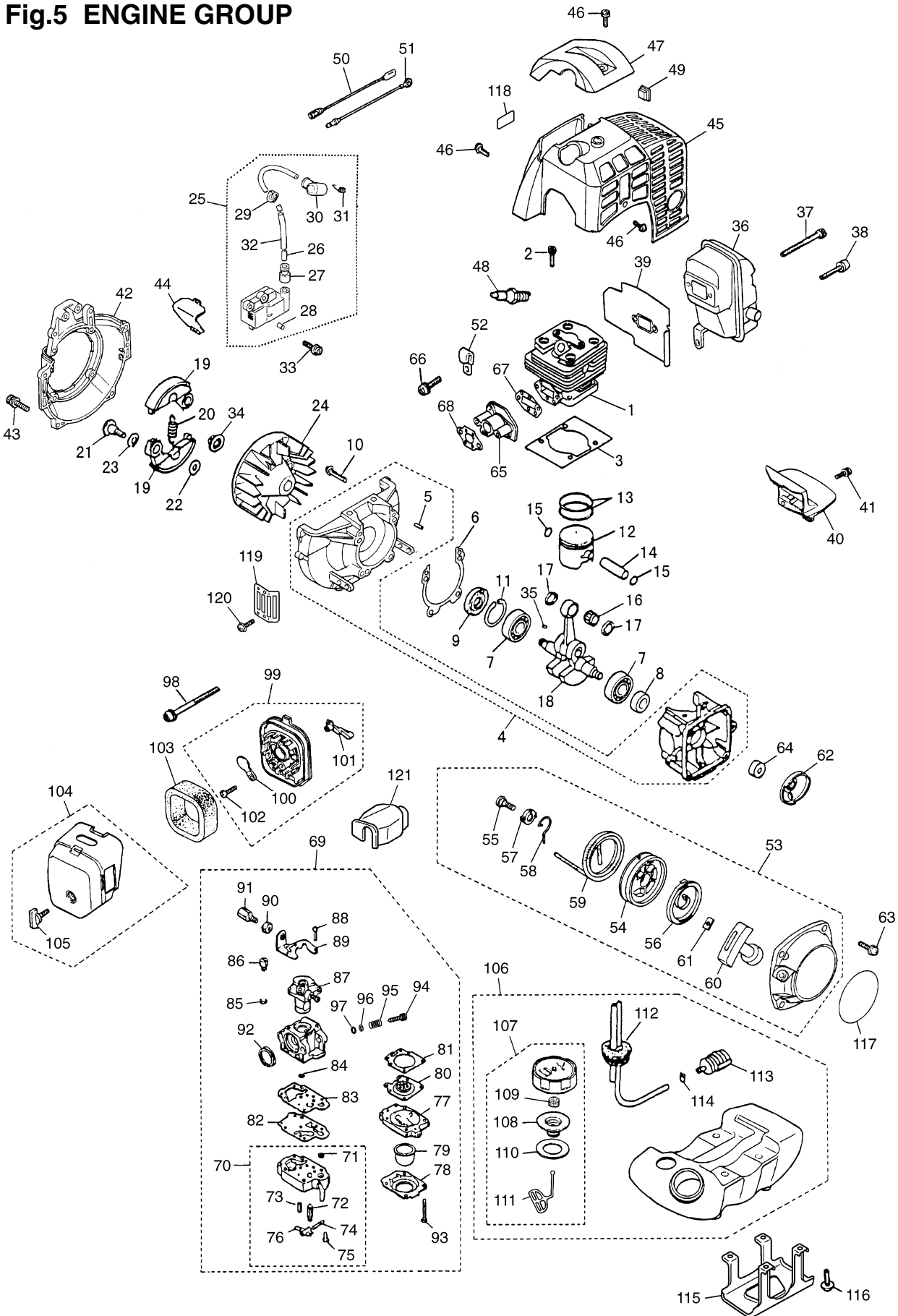


Fig.5 ENGINE GROUP

Key#	PART NUMBER	DESCRIPTION	Q'TY /UNIT	NOTE	Key#	PART NUMBER	DESCRIPTION	Q'TY /UNIT	NOTE
1	4500-12110	CYLINDER	1		62	4500-75210	PULLEY	1	
2	1850-12130	BOLT	4	M5x20	63	4500-75511	SCREW	4	M6x14
3	4500-13120	GASKET, cylinder	1		64	4700-75310	COLLOR	1	
4	4500-21101	CRANKCASE COMP.	1		65	4500-13161	INSULATOR	1	
5	2629-21130	• PIN	3		66	4500-13181	SCREW	2	M5x20
6	4500-21140	GASKET, case	1		67	848G6014B1	GASKET, insulator	1	
7	06030-06201	BEARING	2		68	4500-13130	GASKET, carburetor	1	
8	4810-21210	OIL SEAL	1		69	4500-81001	CARBURETOR ASSY	1	
9	1650-21220	OIL SEAL	1		70	1850-81450	• BODY ASSY	1	
10	01252-30530	BOLT	4	M5x30	71	3306-81380	•• SCREEN	1	
11	04065-03212	SNAP RING	1		72	3356-81310	•• VALVE	1	
12	4500-41110	PISTON	1		73	1850-81270	•• SPRING	1	
13	1400-41220	RING, piston	2		74	1850-81220	•• SCREW	1	
14	2850-41310	PIN	1		75	3310-81250	•• PIN	1	
15	1300-41320	RING	2		76	3310-81230	•• LEVER	1	
16	T2100-41410	BEARING	1		77	1850-81490	• BODY, purge	1	
17	2850-41510	WASHER	2		78	1850-81520	• COVER, pump	1	
18	4500-42000	CRANKSHAFT COMP.	1		79	1751-81510	• PUMP, priming	1	
19	4500-51111	SHOE, clutch	2		80	3310-81260	• DIAPHRAGM	1	
20	4500-51220	SPRING	1		81	1850-81470	• GASKET, diaphragm	1	
21	1200-51211	SCREW	2		82	1065-81420	• DIAPHRAGM, pump	1	
22	1200-51230	WASHER	2		83	1065-81410	• GASKET, pump	1	
23	1200-51241	WASHER	2		84	5500-81160	• WASHER	1	
24	T1153-71110	ROTOR	1		85	1751-81130	• RING	1	
25	T1153-71200	COIL ASSY	1		86	1881-81140	• SWIVEL	1	
26	4500-71220	• CORD	1		87	4500-81150	• VALVE ASSY	1	
27	2616-71320	• CAP	1		88	1752-81110	• SCREW	2	
28	T1153-71250	• PIN	2		89	5500-81120	• BRACKET	1	
29	5500-72130	• GROMMET	1		90	1751-81180	• NUT, adjuster	1	
30	5500-72110	• CAP, plug	1		91	5730-81170	• SCREW, adjuster	1	
31	5500-72120	• SPRING	1		92	1881-81130	• RING	1	
32	T1512-71320	• TUBE	1		93	1850-81530	• SCREW	4	
33	3350-14150	BOLT	2		94	1484-81610	• NEEDLE	1	
34	1650-43230	NUT	1		95	1491-81160	• SPRING	1	
35	1000-43240	KEY	1		96	1881-81190	• WASHER	1	
36	4500-15110	MUFFLER	1		97	1881-81240	• O-RING	1	
37	01252-30565	BOLT	2	M5x65	98	0263-90550	SCREW	2	
38	3310-31720	BOLT	1	M5x14	99	T1184-82101	BODY ASSY	1	
39	4700-15211	GASKET	1		100	T1184-82130	• PLATE, choke	1	
40	4500-15221	PLATE	1		101	4500-82140	• LEVER, choke	1	
41	0263-90514	SCREW	1	M5x14	102	2630-33610	• SCREW	1	
42	848G4653G0	COVER	1		103	4500-82170	ELEMENT	1	
43	3310-12281	BOLT	4	M5x20	104	4500-82202	COVER ASSY	1	
44	4500-31210	PLATE	1		105	5500-82221	• KNOB	1	
45	848G4631A0	COVER	1		106	T1015-85004	TANK ASSY	1	
46	4500-32120	SCREW	4	M5x12	107	T1015-85202	• CAP ASSY	1	
47	4500-32210	GUARD	1		108	4500-85300	•• HOLDER ASSY	1	
48	5933-73110	SPARKPLUG	1	BPMR7A	109	5601-85260	•• FILTER	1	
49	1852-72121	GROMMET	1		110	4500-85220	•• PACKING	1	
50	T1153-71240	CORD	1		111	4820-85260	•• STOPPER	1	
51	T1006-73230	CORD, earth	1		112	T1015-85300	• PIPE COMP	1	
52	8488K40010	CLAMP	1		113	3302-85400	• FILTER ASSY	1	
53	4500-75100	RECOIL ASSY	1		114	1260-85460	• CLIP	1	
54	4500-75120	• REEL	1		115	T1184-31911	GUARD	1	
55	4500-75150	• SCREW	1		116	0263-90525	SCREW	4	
56	1850-75130	• SPRING	1		117	848G8D90C0	LABEL, recoil	1	
57	4500-75180	• COLLAR	1		118	848G8D90B0	LABEL, cover	1	
58	4500-75190	• ARM	1		119	4500-22110	GUARD	1	
59	4500-75160	• ROPE	1		120	0263-90514	SCREW	1	M5x14
60	1140-75320	• KNOB	1		121	4500-81910	COVER	1	
61	5500-75170	• PLATE, stopper	1						

Fig.6 ENGINE GROUP

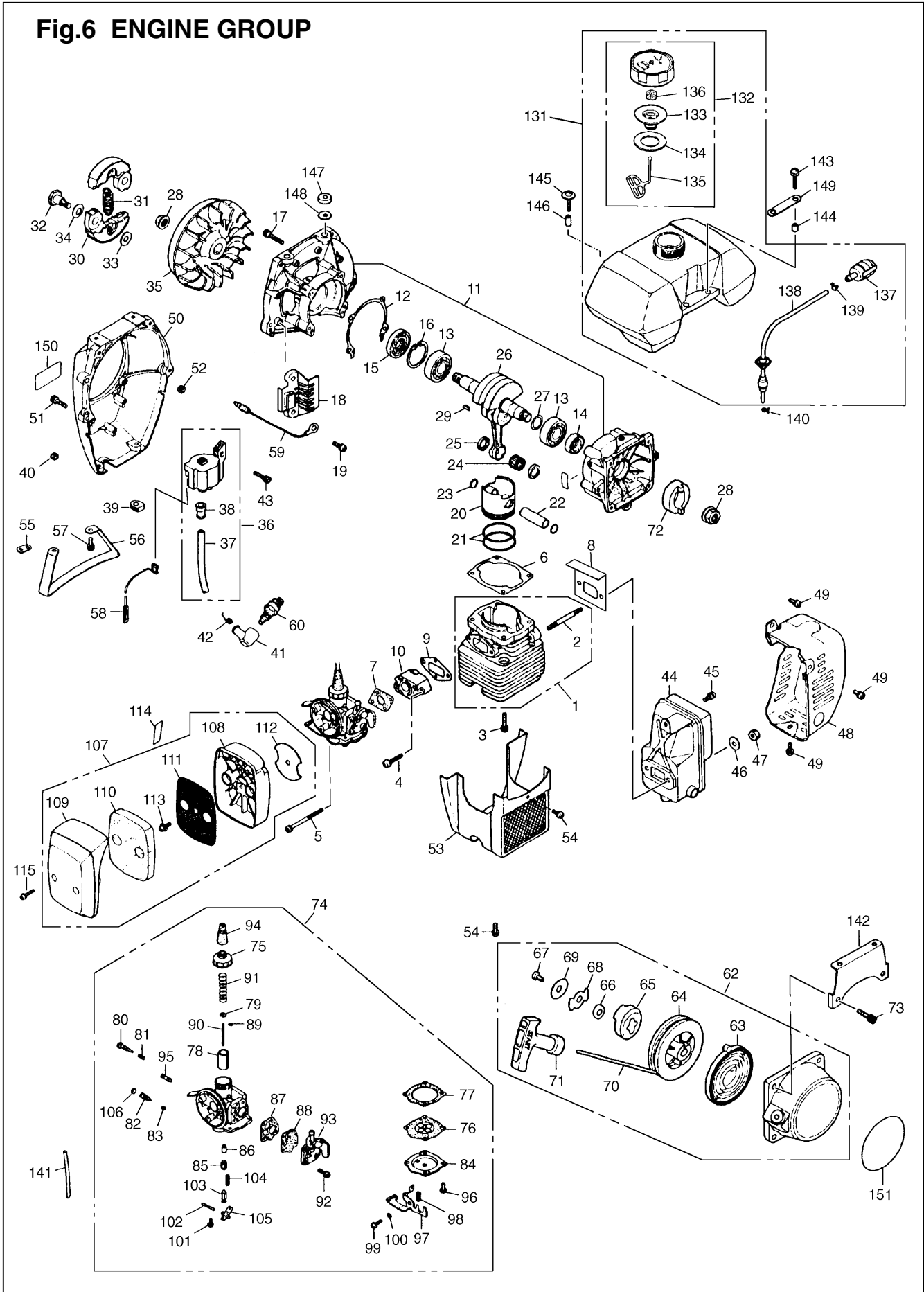


Fig.6 ENGINE GROUP

Key#	PART NUMBER	DESCRIPTION	Q'TY /UNIT	NOTE	Key#	PART NUMBER	DESCRIPTION	Q'TY /UNIT	NOTE
1	1580-12101	CYLINDER	1		72	1487-75211	PULLEY	1	
2	1580-12150	• STUD	2		73	0263-90520	SCREW	1	
3	1850-12130	BOLT	4		74	1584-81000	CARBURETOR ASSY	1	
4	0260-30525	SCREW	2		75	1650-81122	• CAP	1	
5	0263-90550	SCREW	2		76	1580-81480	• DIAPHRAGM ASSY	1	
6	1400-13122	GASKET, cylinder	1		77	1101-81950	• PACKING	1	
7	1420-13131	GASKET	1		78	1420-81150	• VALVE	1	
8	1580-13141	GASKET	1		79	1335-81070	• RECEIVE	1	
9	1400-13151	GASKET	1		80	1038-81001-29	• SCREW	1	
10	1580-13161	INSULATOR	1		81	1650-81260	• SPRING	1	
11	1400-21100	CRANKCASE COMP.	1		82	1420-81271	• SCREW	1	
12	1400-21141	GASKET	1		83	1420-81370	• SPRING	1	
13	06030-06202	BEARING	2		84	1420-81490	• COVER	1	
14	1520-21220	SEAL	1		85	1420-81420	• HOLDER	1	
15	1400-21220	SEAL	1		86	1420-81410	• JET	1	
16	04065-03515	SNAP RING	4		87	1420-81730	• PACKING	1	
17	01252-30530	BOLT	1		88	1420-81720	• PUMP	1	
18	2155-21311	GUARD	1		89	1101-81190	• CLIP	1	
19	0263-90514	SCREW	2		90	1580-81180	• NEEDLE	1	
20	3360-41110	PISTON	1		91	1335-81060	• SPRING	1	
21	3360-41211	RING	2		92	0260-10310	• SCREW	4	
22	3360-41310	PIN	1		93	1422-81800	• COVER ASSY	1	
23	3350-41320	RING	2		94	1141-81120	• CAP	1	
24	1400-41410	BEARING	1		95	1130-81170	• VALVE	1	
25	2670-41510	WASHER	2		96	0260-10308	• SCREW	4	
26	1400-42002	CRANKSHAFT COMP.	1		97	1420-81510	• LEVER	1	
27	1300-42410	SHIM	0~1		98	1420-81520	• SPRING	1	
28	1400-43230	NUT	2		99	0260-00408	• SCREW	1	
29	1000-43240	KEY	1		100	1420-81530	• COLLAR	1	
30	1075-51113	SHOE	2		101	0260-00306	• SCREW	1	
31	1075-51220	SPRING	1		102	1100-81461	• PIN	1	
32	1200-51211	SCREW	2		103	1100-81440	• VALVE	2	
33	1200-51230	WASHER	2		104	1420-81430	• SPRING	1	
34	1200-51241	WASHER	2		105	1420-81450	• LEVER	1	
35	2073-71110	ROTOR	1		106	1420-81620	• PLATE	1	
36	2155-71200	COIL ASSY	1		107	1580-82001	CLEANER ASSY	1	
37	2155-71220	• CORD,high	1		108	1400-82113	• BODY	1	
38	2616-71320	• CAP	1		109	1400-82121	• COVER	1	
39	5500-72130	GROMMET	1		110	1418-82130	• ELEMENT	1	
40	1100-72120	GROMMET	1		111	1400-82141	• SCREEN	1	
41	5500-72110	CAP	1		112	1580-82150	• PLATE	1	
42	1900-72120	SPRING	1		113	1580-82160	• SCREW	1	
43	0263-90520	SCREW	2		114	1133-82060	LABEL	1	
44	1400-15111	MUFFLER	1		115	4550-82150	SCREW	2	
45	0263-90512	SCREW	1						
46	1140-51230	WASHER	1		131	1439-85001	TANK ASSY	1	
47	1580-15230	NUT	1		132	T1015-85202	• CAP ASSY	1	
48	1400-15410	COVER,muffler	1		133	4500-85300	•• HOLDER ASSY	1	
49	0263-90512	SCREW	3		134	4500-85220	•• PACKING	1	
50	848H4J53G0	COVER	1		135	4820-85260	•• STOPPER	1	
51	3310-12281	BOLT	4		136	5601-85260	•• FILTER	1	
52	1100-72120	GROMMET	1		137	1435-85401	• FITER ASSY	1	
53	848H4J31A0	COVER	1		138	1421-85400	• PUMP COMP.	1	
54	0263-90512	SCREW	2		139	1260-85460	• CLIP	1	
55	1600-86130	CLAMP	1		140	1063-86130	CLIP	1	
56	3540-93110	STAND	1		141	1420-86180	PIPE	1	
57	3310-31720	BOLT	2		142	1400-86214	SUPPORT	1	
58	2155-71240	CORD	1		143	0263-90520	SCREW	2	
59	2116-71250	CORD,earth	1		144	1400-86250	COLLAR	2	
60	5535-73110	SPARKPLUG NGK	1	BPMR6A	145	1460-85850	SCREW	2	
					146	1400-86260	COLLAR	2	
62	T4030-75100	RECOIL ASSY	1		147	1400-86271	CUSHION	2	
63	1180-75221	• SPRING	1		148	1400-86280	WASHER	2	
64	T4030-75120	• REEL	1		149	1580-86290	PLATE	1	
65	T4030-75140	• DOG	1		150	848H4J90B0	LABEL, cover	1	
66	1861-75150	• WASHER	1		151	848H4J90C0	LABEL, recoil	1	
67	848G1K75E0	• SCREW	1						
68	1487-75160	• RETAINER	1						
69	1487-75170	• WASHER	1						
70	1400-75160	• ROPE	1						
71	1400-75170	• KNOB	1						



Briggs & Stratton Corporation

P.O. Box 702

Milwaukee, WI 53201-0702

BRIGGSandSTRATTON.com