



**10L900**

# Illustrated Parts List

## Model Series

# 10L900

TYPE NUMBER

0110, 0441, 0469, 0480,  
0488, 0517, 0536, 0543.

### TABLE OF CONTENTS

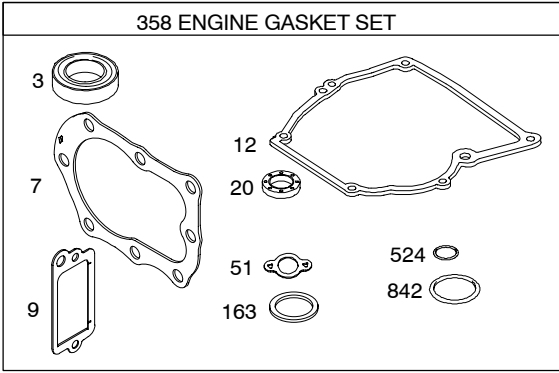
|                                   |   |
|-----------------------------------|---|
| Air Cleaner .....                 | 3 |
| Blower Housing/Shrouds .....      | 5 |
| Brake .....                       | 4 |
| Camshaft .....                    | 2 |
| Carburetor .....                  | 3 |
| Controls .....                    | 4 |
| Crankcase Cover/Sump .....        | 2 |
| Crankshaft .....                  | 2 |
| Cylinder .....                    | 2 |
| Cylinder Head .....               | 2 |
| Engine/Valve Gasket Sets .....    | 2 |
| Flywheel .....                    | 5 |
| Fuel Supply .....                 | 3 |
| Governor Spring .....             | 4 |
| Ignition .....                    | 4 |
| Lubrication .....                 | 2 |
| Muffler .....                     | 3 |
| Piston/Rings/Connecting Rod ..... | 2 |
| Rewind Starter .....              | 5 |



PRINTED IN U.S.A.

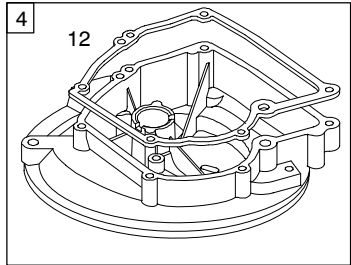
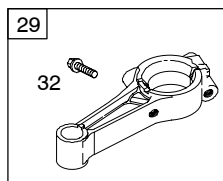
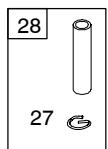
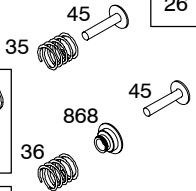
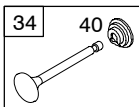
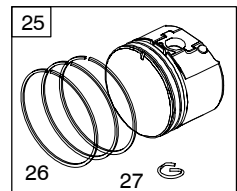
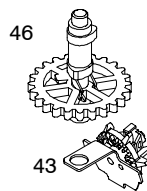
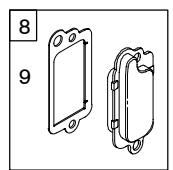
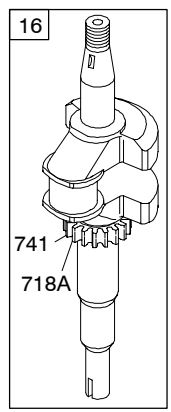
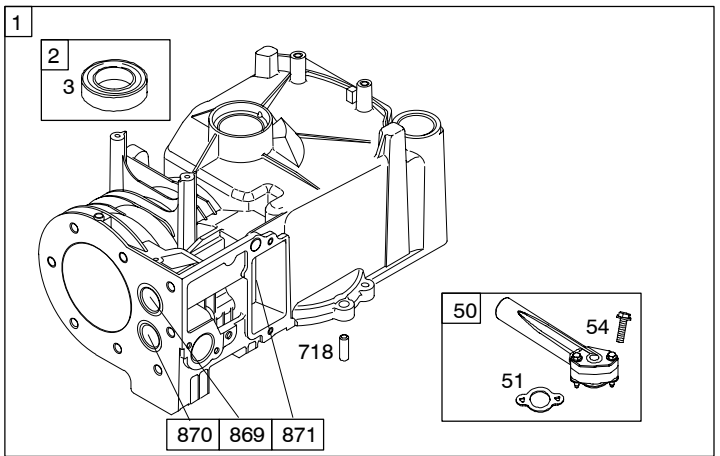
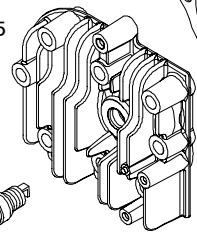
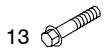
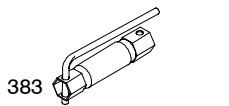
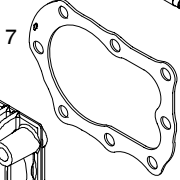
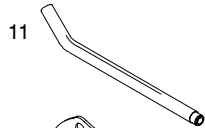
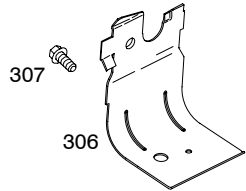
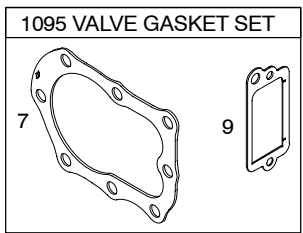
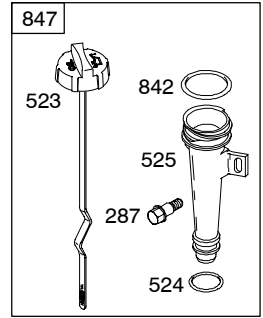
COPYRIGHT by BRIGGS & STRATTON CORPORATION  
All rights reserved. No part of this material may be reproduced or transmitted,  
in any form or by any means, electronic or mechanical, including photocopying,  
recording or by any information storage and retrieval system, without permission  
in writing from Briggs & Stratton Corporation.

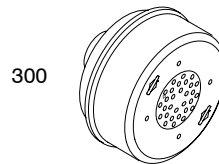
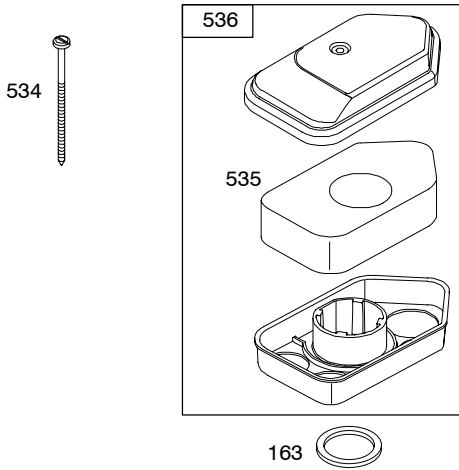
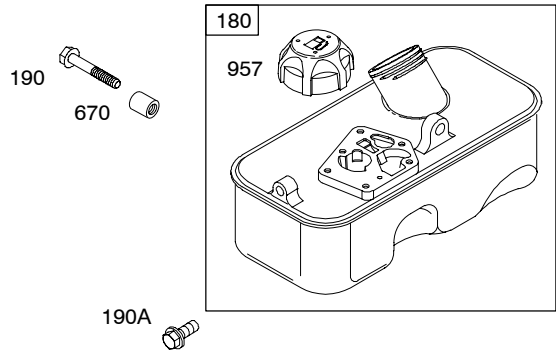
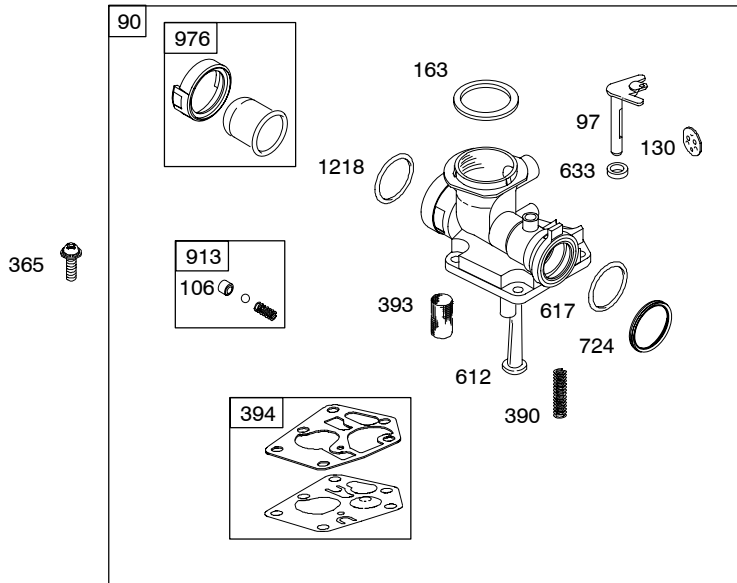
# 10L900



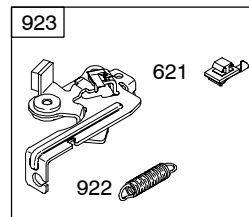
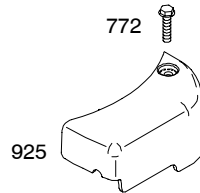
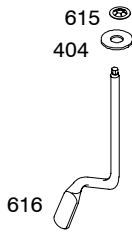
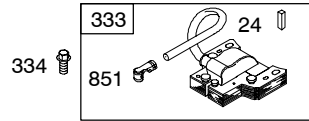
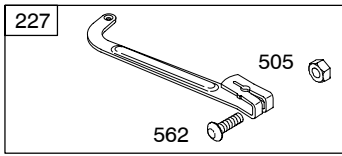
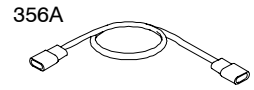
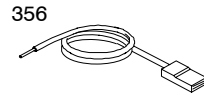
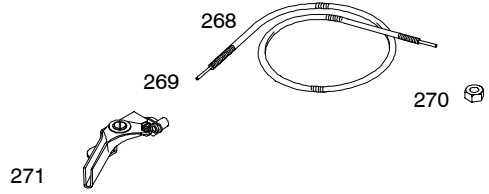
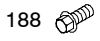
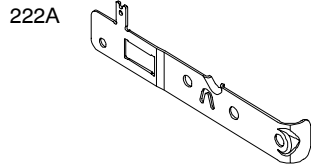
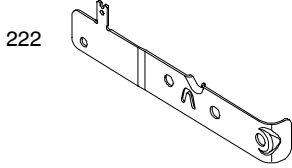
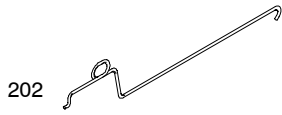
1058 OPERATOR'S MANUAL

1330 REPAIR MANUAL

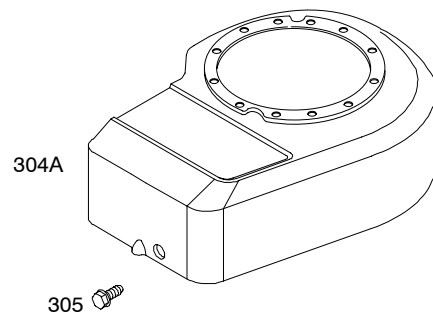
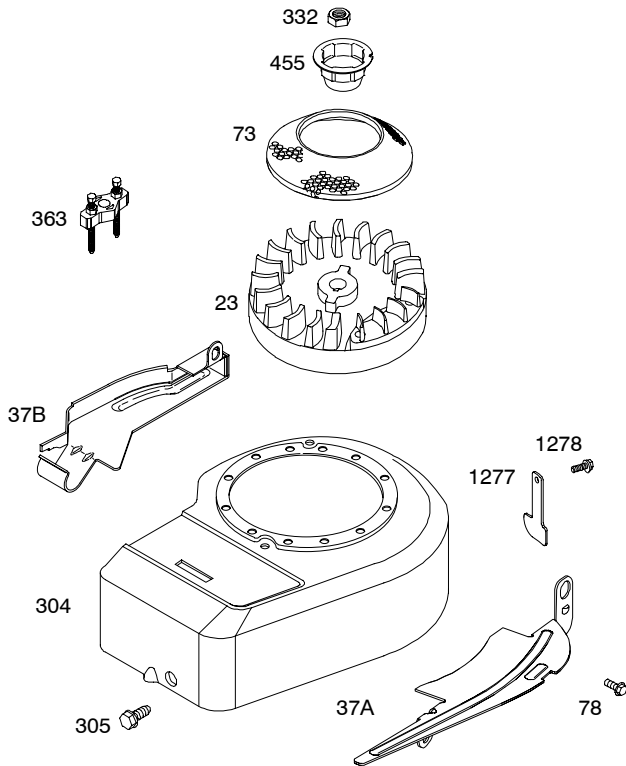
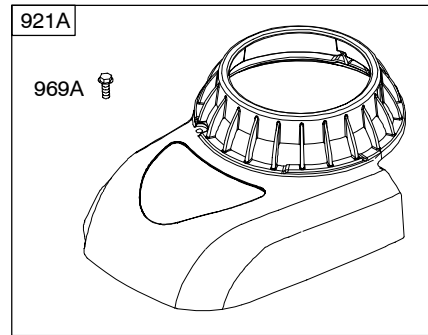
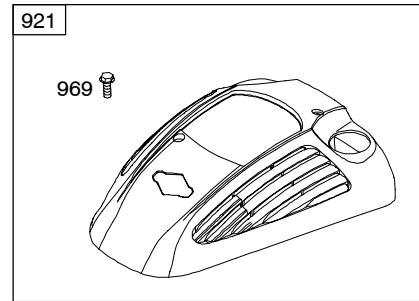
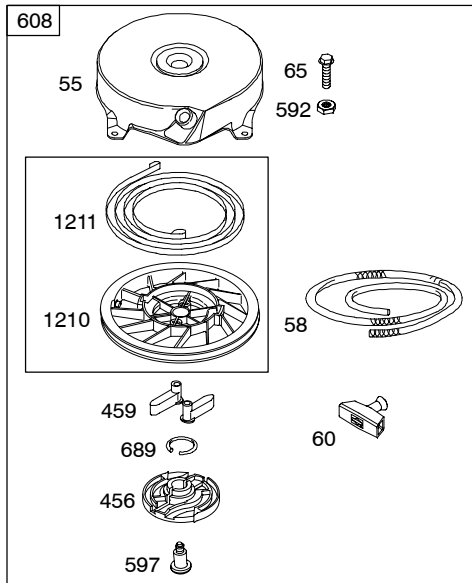




# 10L900



1036 EMISSIONS LABEL



# 10L900

| REF. NO. | PART NO. | DESCRIPTION   | REF. NO. | PART NO. | DESCRIPTION  | REF. NO. | PART NO. | DESCRIPTION   |
|----------|----------|---|----------|----------|--|----------|----------|---|
| 1        | 699650   | Cylinder Assembly   | 23       | 692009   | Flywheel   | 33       | 296676   | Valve-Exhaust   |
| 2        | 399269   | Kit-Bushing/Seal<br>(Magneto Side)                                  |          |          | ----- <b>Note</b> -----  | 34       | 296677   | Valve-Intake  |
| 3        | 299819S  | Seal-Oil<br>(Magneto Side)  |          |          | 690843 Flywheel<br>Used on Type No(s).<br>0110.                                      | 35       | 690520   | Spring-Valve<br>(Intake)  |
| 4        | 698691   | Sump-Engine   | 24       | 222698S  | Key-Flywheel   | 36       | 690520   | Spring-Valve<br>(Exhaust)   |
| 5        | 790169   | Head-Cylinder   | 25       | 790908   | Piston Assembly<br>(Standard)<br>(Used After Code Date<br>04111400).                 | 37A      | 793748   | Guard-Flywheel<br>(Muffler Side)                                  |
| 7        | 698717   | Gasket-Cylinder Head  |          |          | ----- <b>Note</b> -----  | 37B      | 697403   | Guard-Flywheel<br>(Carburetor Side)                               |
| 8        | 791781   | Breather Assembly<br>(Used After Code Date<br>05102400).            |          |          | 699657 Piston<br>Assembly<br>(Standard)<br>(Used Before Code<br>Date 04111500).      | 40       | 692194   | Retainer-Valve  |
|          |          | ----- <b>Note</b> -----   |          |          |  | 43       | 697799   | Slinger-Governor/Oil  |
|          |          | 699640 Breather<br>Assembly<br>(Used Before Code<br>Date 05102500). |          |          |  | 45       | 691762   | Tappet-Valve  |
| 9        | 695890   | Gasket-Breather   |          |          |  | 46       | 691998   | Camshaft  |
| 10       | 691666   | Screw<br>(Breather Assembly)  |          |          |  | 50       | 699644   | Manifold-Intake   |
| 11       | 691245   | Tube-Breather   |          |          |  | 51       | 699649   | Gasket-Intake   |
| 12       | ★692218  | Gasket-Crankcase<br>(Standard)<br>(.015" Thick)                     |          |          |  | 54       | 691111   | Screw<br>(Intake Manifold)  |
|          |          | ----- <b>Note</b> -----   |          |          |  | 55       | 692144   | Housing-Rewind<br>Starter   |
|          |          | 270895 Gasket-<br>Crankcase<br>(.005" Thick)                        |          |          | 792532 Piston<br>Assembly<br>(.020" Oversize)<br>(Used After Code Date<br>04111400). | 58       | 697316   | Rope-Starter<br>(88 5/8" Long)                                    |
|          |          | 270896 Gasket-<br>Crankcase<br>(.009" Thick)                        | 26       | 790909   | Ring Set<br>(Standard)<br>(Used After Code Date<br>04111400).                        |          |          | ----- <b>Note</b> -----   |
|          |          | ----- <b>Note</b> -----   |          |          | ----- <b>Note</b> -----  |          |          | 691921 Rope-Starter<br>(70" Long)<br>Used on Type No(s).<br>0110. |
|          |          | 691471 Crankshaft<br>Used on Type No(s).<br>0110.                   |          |          | 699658 Ring Set<br>(Standard)<br>(Used Before Code<br>Date 04111500).                | 60       | 691915   | Grip-Starter Rope   |
| 13       | 691640   | Screw<br>(Cylinder Head)  |          |          |  | 65       | 690837   | Screw<br>(Rewind Starter)   |
| 15       | 691680   | Plug-Oil Drain  |          |          |  | 73       | 699850   | Screen-Rotating   |
| 16       | 691472   | Crankshaft  |          |          |  | 78       | 692198   | Screw<br>(Flywheel Guard)   |
|          |          | ----- <b>Note</b> -----   |          |          |  | 90       | 790206   | Carburetor  |
|          |          | 691471 Crankshaft<br>Used on Type No(s).<br>0110.                   |          |          | 792533 Ring Set<br>(.020" Oversize)<br>(Used After Code Date<br>04111400).           |          |          | ----- <b>Note</b> -----   |
| 20       | 391483S  | Seal-Oil<br>(PTO Side)  | 27       | 691588   | Lock-Piston Pin  |          |          | 790218 Carburetor<br>Used on Type No(s).<br>0110.                 |
| 22       | 692551   | Screw<br>(Crankcase<br>Cover/Sump)                                  | 28       | 699659   | Pin-Piston   | 97       | 697414   | Shaft-Throttle  |
|          |          |   | 29       | 699654   | Rod-Connecting   | 106      | 691901   | Seat-Inlet  |
|          |          |   | 32       | 691664   | Screw<br>(Connecting Rod)  | 130      | 691190   | Valve-Throttle  |
|          |          |   |          |          |  | 163      | 271139S  | Gasket-Air Cleaner  |
|          |          |   |          |          |  | 180      | 494406   | Tank-Fuel   |

Engine Gasket Set-Reference 358

Valve Gasket Set-Reference 1095

| REF. NO. | PART NO. | DESCRIPTION  | REF. NO. | PART NO. | DESCRIPTION   | REF. NO. | PART NO. | DESCRIPTION   |
|----------|----------|--|----------|----------|---|----------|----------|---|
| 188      | 692198   | Screw<br>(Control Bracket)   | 305      | 692198   | Screw<br>(Blower Housing)   | 534      | 691417   | Screw<br>(Air Cleaner)  |
| 190      | 691640   | Screw<br>(Fuel Tank)<br>(1 3/4" Long)  | 306      | 690400   | Shield-Cylinder<br>(Used Before Code<br>Date 06101100).                             | 535      | 698369   | Filter-Air Cleaner<br>Foam  |
| 190A     | 692198   | Screw<br>(Fuel Tank)<br>(1/2" Long)  | 307      | 690345   | Screw<br>(Cylinder Shield)<br>(Used Before Code<br>Date 06101100).                  | 536      | 698472   | Cleaner-Air   |
| 202      | 698835   | Link-Mechanical<br>Governor  | 332      | 690662   | Nut<br>(Flywheel)   | 562      | 92613    | Bolt<br>(Governor Control<br>Lever)   |
| 209      | 698726   | Spring-Governor<br>(Pink)<br>Used on Type No(s).<br>0441, 0469, 0480,<br>0488, 0517, 0536<br>0543. | 333      | 793281   | Armature-Magneto<br>(Used After Code Date<br>06073000).                             | 592      | 690800   | Nut<br>(Rewind Starter)   |
|          |          | ----- Note -----<br>790220 Spring-Governor<br>(Black)<br>Used on Type No(s).<br>0110.              |          |          | ----- Note -----<br>496914 Armature-Magneto<br>(Used Before Code<br>Date 06073100). | 597      | 691696   | Screw<br>(Pawl Friction Plate)  |
| 222      | 698725   | Bracket-Control  | 334      | 691061   | Screw<br>(Magneto Armature)   | 608      | 499706   | Starter-Rewind<br>(88 5/8" Rope)  |
| 222A     | 792240   | Bracket-Control<br>Used on Type No(s).<br>0110.  | 337      | 802592S  | Plug-Spark  |          |          | ----- Note -----<br>690101 Starter-Rewind<br>(70" Rope)<br>Used on Type No(s).<br>0110. |
| 227      | 697402   | Lever-Governor<br>Control  | 356      | 692390   | Wire-Stop   | 612      | 496046S  | Tube-Pick Up  |
| 268      | 691072   | Casing-Control Wire<br>(Cut To Required<br>Length)   | 356A     | 693010   | Wire-Stop<br>Used on Type No(s).<br>0110.   | 615      | 690340   | Retainer-Governor<br>Shaft  |
| 269      | 691026   | Wire-Control<br>(Cut To Required<br>Length)  | 358      | 699933   | Gasket Set-Engine   | 616      | 697405   | Crank-Governor  |
| 270      | 691027   | Nut<br>(Control Wire Casing)   | 363      | 19069    | Puller-Flywheel   | 617      | 270344S  | Seal-O Ring<br>(Intake Manifold)  |
| 271      | 691028   | Lever-Control  | 365      | 790029   | Screw<br>(Carburetor)   | 621      | 692310   | Switch-Stop   |
| 287      | 691002   | Screw<br>(Dipstick Tube)   | 383      | 89838S   | Wrench-Spark Plug   | 633      | 691321   | Seal-Choke/Throttle<br>Shaft<br>(Throttle)  |
| 300      | 394569S  | Muffler<br>(Round Lo Tone)   | 390      | 691839   | Spring-Choke<br>Diaphragm   | 635      | 66538S   | Boot-Spark Plug   |
| 304      | 697411   | Housing-Blower<br>(Compliance Engines)   | 393      | 691837   | Screen-Carburetor   | 670      | 691633   | Spacer-Fuel Tank  |
| 304A     | 791392   | Housing-Blower<br>(Non Compliance<br>Engines)<br>Used on Type No(s).<br>0110.                      | 394      | 495770   | Diaphragm-Carburetor  | 689      | 691855   | Spring-Friction   |
|          |          |  | 404      | 690272   | Washer<br>(Governor Crank)  | 718      | 690959   | Pin-Locating<br>(Cylinder)  |
|          |          |  | 455      | 691236   | Cup-Flywheel  | 718A     | 499047   | Pin-Locating<br>(Crankshaft)  |
|          |          |  | 456      | 692299   | Plate-Pawl Friction   | 724      | 697478   | Retainer-Seal   |
|          |          |  | 459      | 281505S  | Pawl-Ratchet  | 729      | 690586   | Clip-Wire   |
|          |          |  | 505      | 691251   | Nut<br>(Governor Control<br>Lever)  | 741      | 691805   | Gear-Timing   |
|          |          |  | 523      | 692040   | Dipstick  | 745      | 691146   | Screw<br>(Brake)<br>(7/8" Long)   |
|          |          |  | 524      | 691876   | Seal-Dipstick Tube  | 745A     | 690859   | Screw<br>(Brake)<br>(1/2" Long)   |
|          |          |  | 525      | 691320   | Tube-Dipstick   |          |          |   |
|          |          |  | 529      | 692189   | Grommet   |          |          |   |

★ Engine Gasket Set-Reference 358

△ Valve Gasket Set-Reference 1095

# 10L900

| REF. NO. | PART NO. | DESCRIPTION  | REF. NO. | PART NO. | DESCRIPTION  | REF. NO. | PART NO. | DESCRIPTION  |
|----------|----------|--|----------|----------|--|----------|----------|--|
| 772      | 691111   | Screw<br>(Linkage Cover)<br>(1 1/8" Long)<br>Used on Type No(s).<br>0469, 0480, 0488,<br>0517, 0536, 0543.                 | 921A     | 699796   | Cover-Blower Housing<br>Used on Type No(s).<br>0469, 0480, 0488,<br>0517, 0536, 0543.                              | 976      | 694394   | Primer-Carburetor<br>Label-Emissions<br>(Available from<br>Authorized Briggs &<br>Stratton Service<br>Dealer)      |
| 842      | 691870   | Seal-O Ring<br>(Dipstick Tube)   | 922      | 692135   | Spring-Brake   | 1036     |          |  |
| 847      | 691440   | Dipstick/Tube<br>Assembly  | 923      | 691487   | Brake  | 1058     | 277038   | Operator's Manual<br>----- <b>Note</b> -----<br><b>MS3447</b> Operator's<br>Manual<br>Used on Type No(s).<br>0110. |
| 851      | 493880S  | Terminal-Spark Plug  | 925      | 691349   | Cover-Linkage<br>Used on Type No(s).<br>0469, 0480, 0488,<br>0517, 0536, 0543.                                     | 1095     | 498526   | Gasket Set-Valve   |
| 868      | 697338   | Seal-Valve   | 957      | 497929S  | Cap-Fuel Tank  | 1210     | 499901   | Pulley/Spring<br>Assembly<br>(Pulley)  |
| 869      | 699641   | Seat-Valve<br>(Intake)   | 957A     | 791129   | Cap-Fuel Tank<br>Used on Type No(s).<br>0110   | 1211     | 499901   | Pulley/Spring<br>Assembly<br>(Spring)  |
| 870      | 699642   | Seat-Valve<br>(Exhaust)  | 969      | 694046   | Screw<br>(Blower Housing<br>Cover)<br>(2 1/3" Long)<br>Used on Type No(s).<br>0441.                                | 1218     | 695866   | Seal-O Ring<br>(Carburetor)  |
| 871      | 699643   | Bushing-Valve Guide<br>(Exhaust Valve)<br>----- <b>Note</b> -----<br><b>63709</b> Bushing-Valve<br>Guide<br>(Intake Valve) | 969A     | 692523   | Screw<br>(Blower Housing<br>Cover)<br>(2/3" Long)<br>Used on Type No(s).<br>0469, 0480, 0488,<br>0517, 0536, 0543. | 1277     | 698718   | Guard-Governor Nut<br>(Used Before Code<br>Date 05121300).   |
| 913      | 494409   | Seat-Check Valve   |          |          |  | 1278     | 691002   | Screw<br>(Governor Nut Guard)<br>(Used Before Code<br>Date 05121300).  |
| 921      | 698709   | Cover-Blower Housing<br>Used on Type No(s).<br>0441.   |          |          |  | 1330     | 270962   | Repair Manual  |

Engine Gasket Set-Reference 358

Valve Gasket Set-Reference 1095