



# Illustrated Parts List

## Model Series

# 10M900

### TYPE NUMBER

0005, 0015, 0116, 0018, 0100, 0111,  
0112, 0113, 0114, 0115, 0212, 0289,  
0310, 0364, 0367, 0388, 0397, 0435,  
0452, 0474, 0489, 0521, 0554, 0621,  
0712.

### TABLE OF CONTENTS

|  |   |
|--|---|
| <b>Air Cleaner</b> .....                 | 5 |
| <b>Blower Housing/Shrouds</b> .....      | 6 |
| <b>Brake</b> .....                       | 5 |
| <b>Camshaft</b> .....                    | 3 |
| <b>Carburetor</b> .....                  | 4 |
| <b>Controls</b> .....                    | 4 |
| <b>Crankcase Cover/Sump</b> .....        | 3 |
| <b>Crankshaft</b> .....                  | 3 |
| <b>Cylinder</b> .....                    | 2 |
| <b>Cylinder Head</b> .....               | 2 |
| <b>Engine/Valve Gasket Sets</b> .....    | 2 |
| <b>Flywheel</b> .....                    | 6 |
| <b>Fuel Supply</b> .....                 | 4 |
| <b>Governor Spring</b> .....             | 4 |
| <b>Ignition</b> .....                    | 5 |
| <b>Lubrication</b> .....                 | 2 |
| <b>Muffler</b> .....                     | 5 |
| <b>Piston/Rings/Connecting Rod</b> ..... | 3 |
| <b>Rewind Starter</b> .....              | 6 |

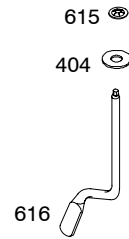
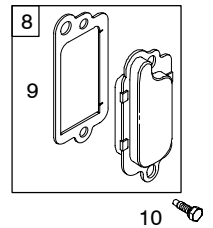
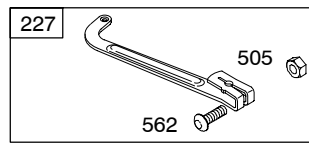
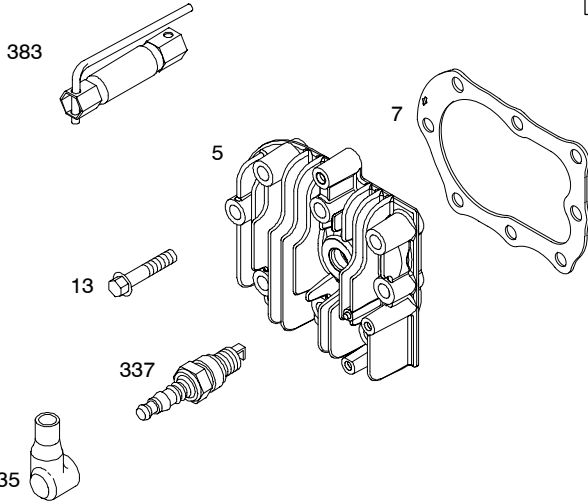
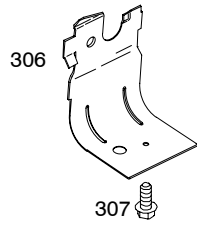
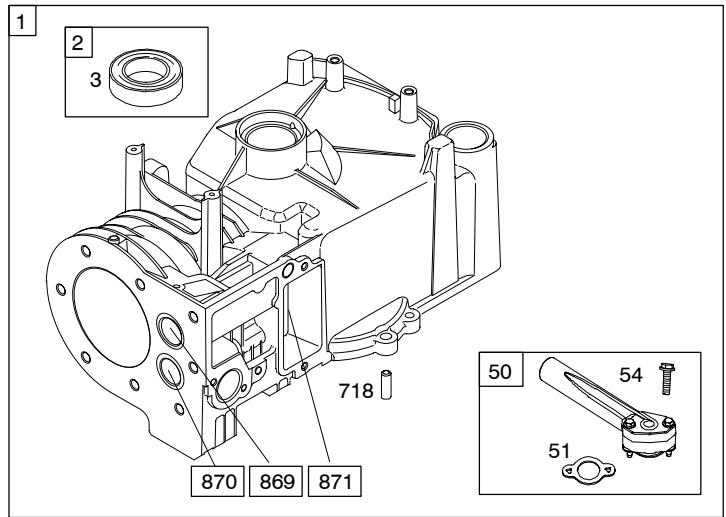
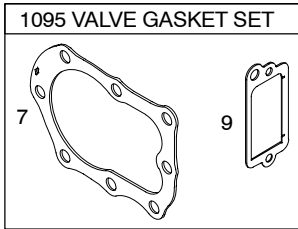
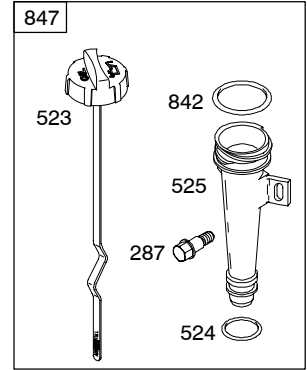
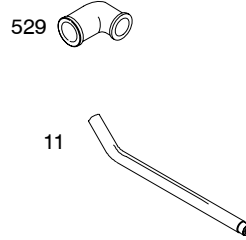
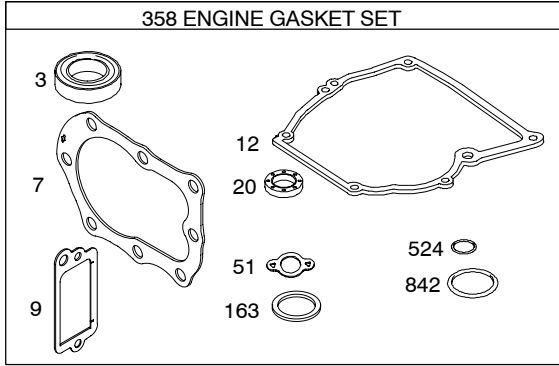
PRINTED IN U.S.A.

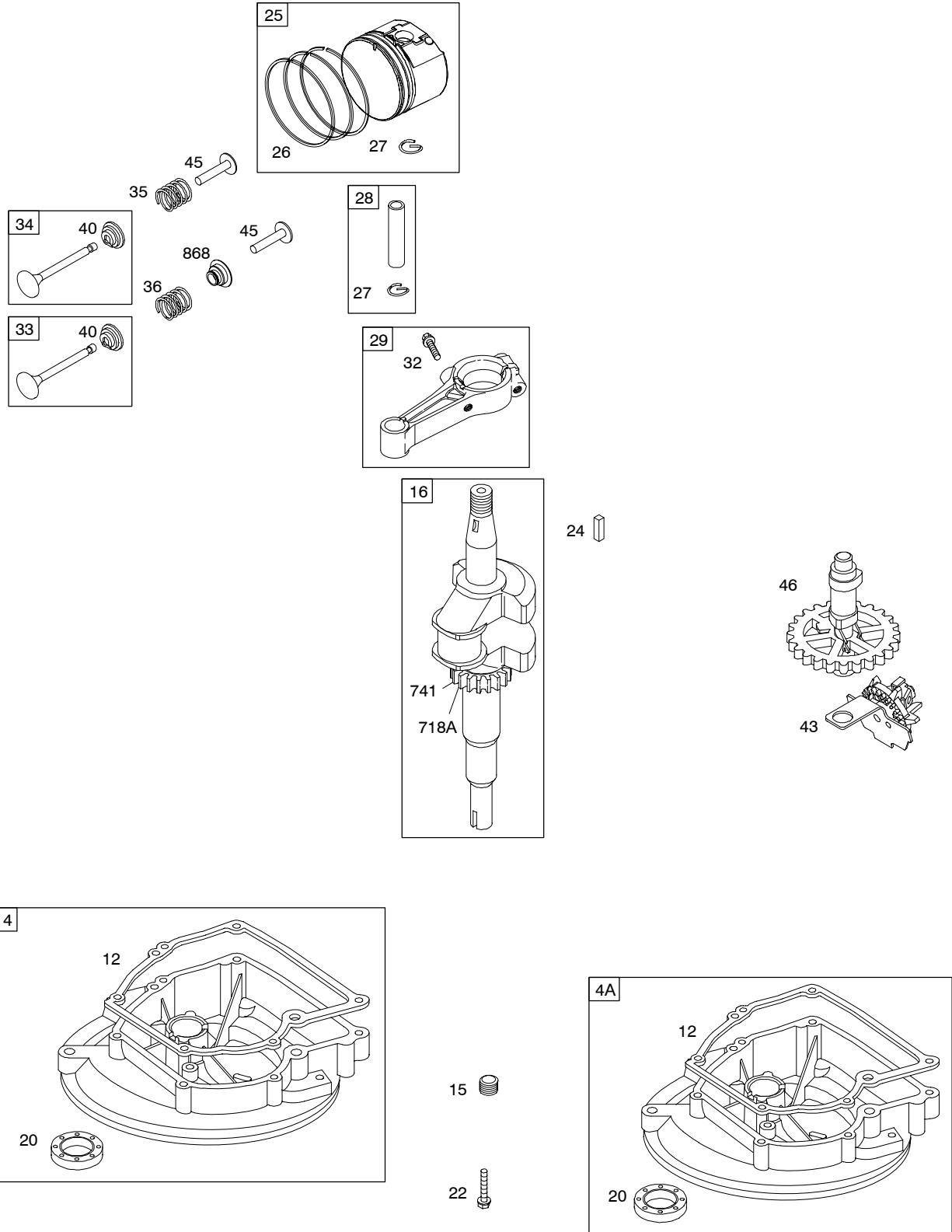


COPYRIGHT by BRIGGS & STRATTON CORPORATION  
All rights reserved. No part of this material may be reproduced or transmitted,  
in any form or by any means, electronic or mechanical, including photocopying,  
recording or by any information storage and retrieval system, without permission  
in writing from Briggs & Stratton Corporation.

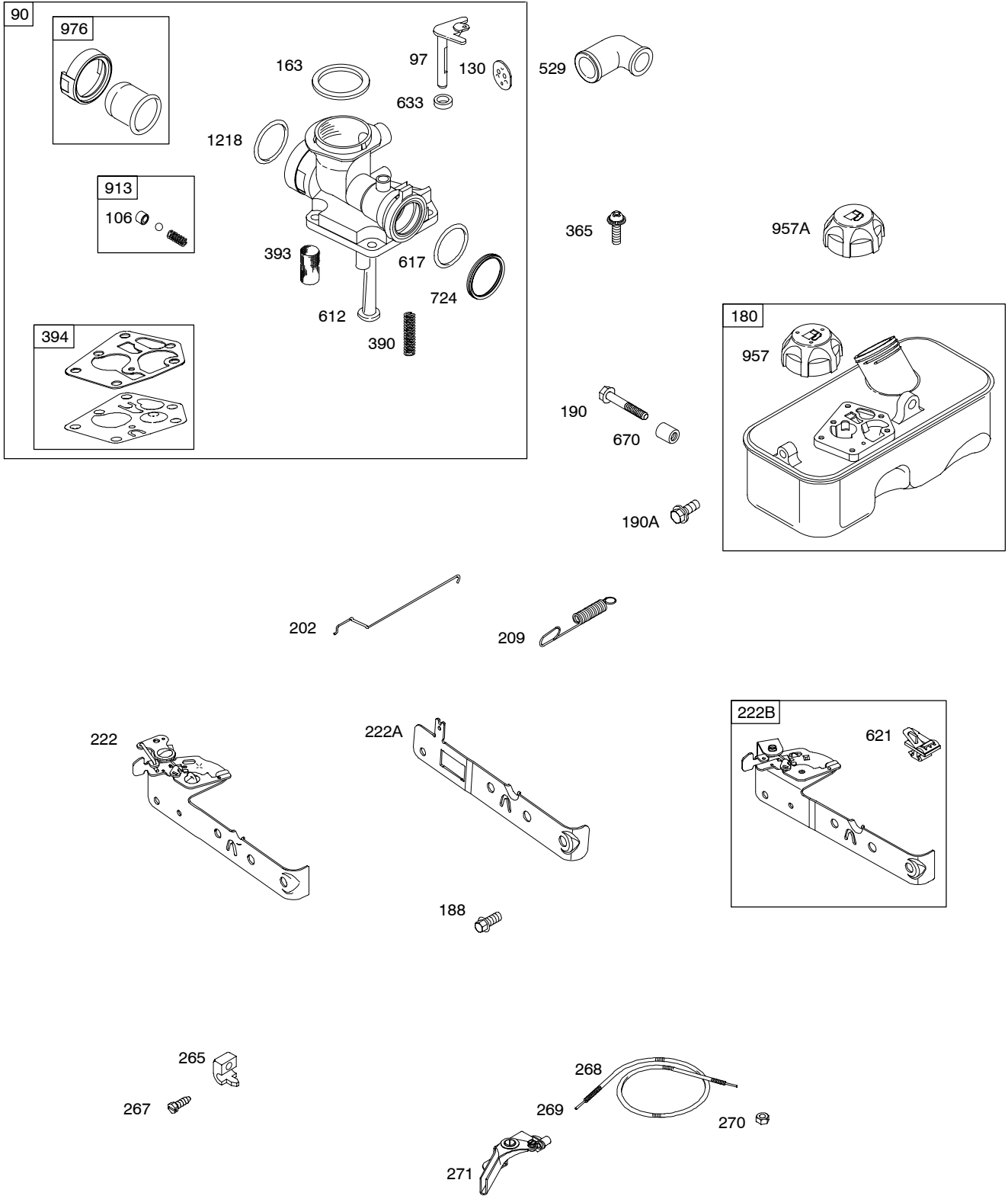
1058 OPERATOR'S MANUAL

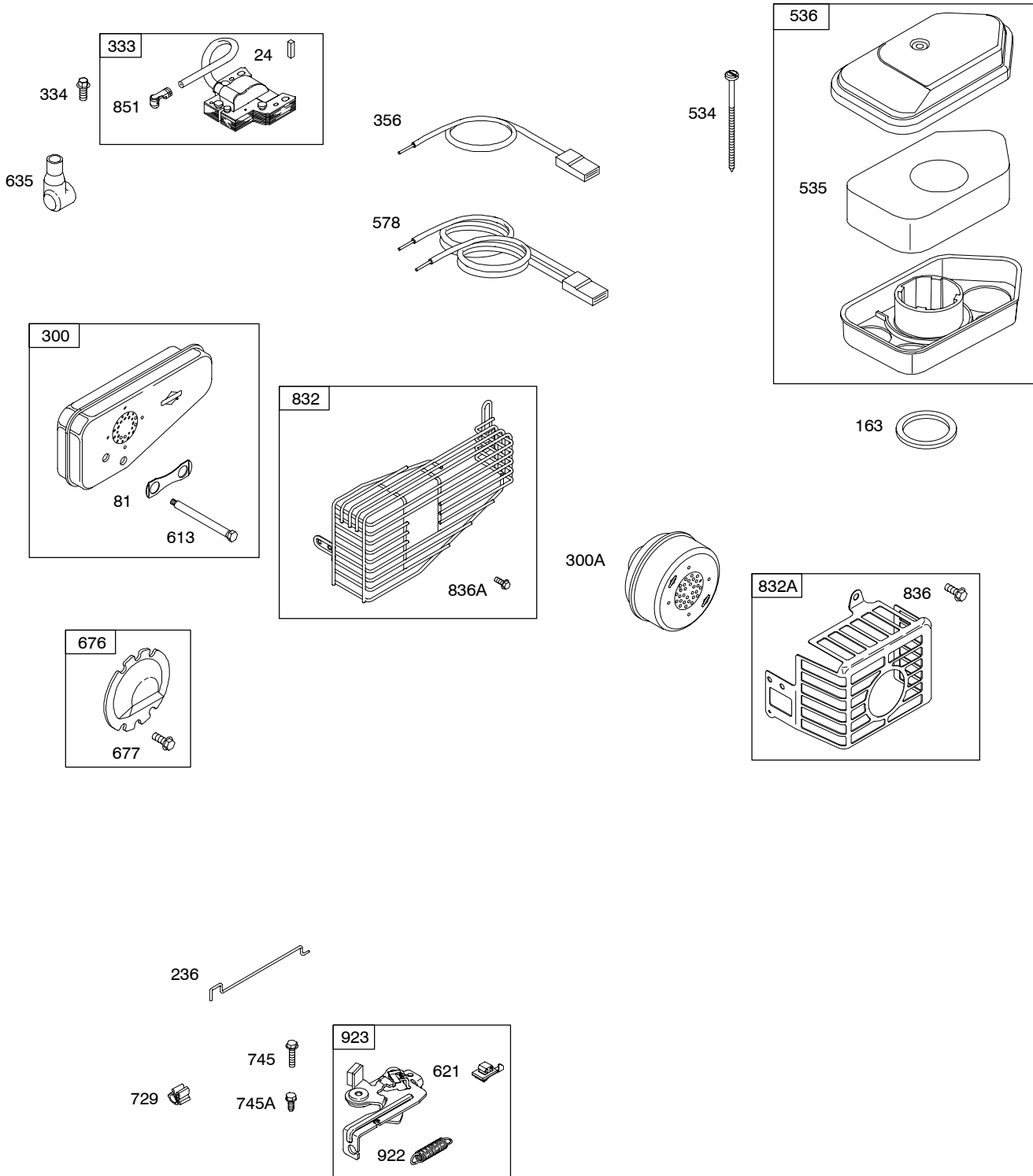
1330 REPAIR MANUAL



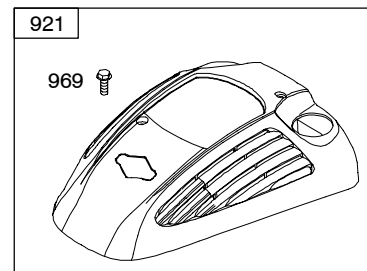
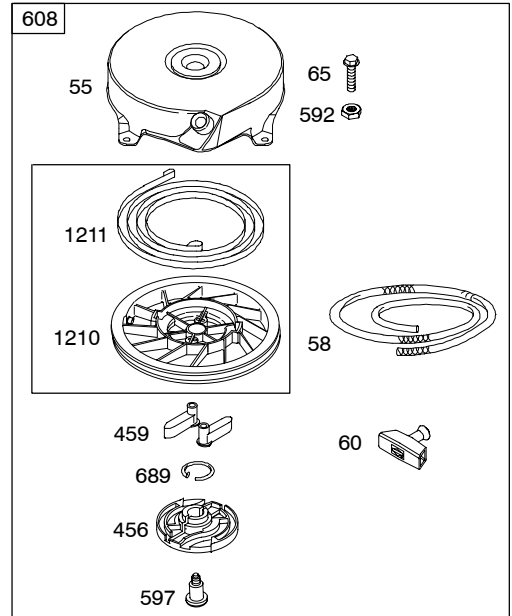
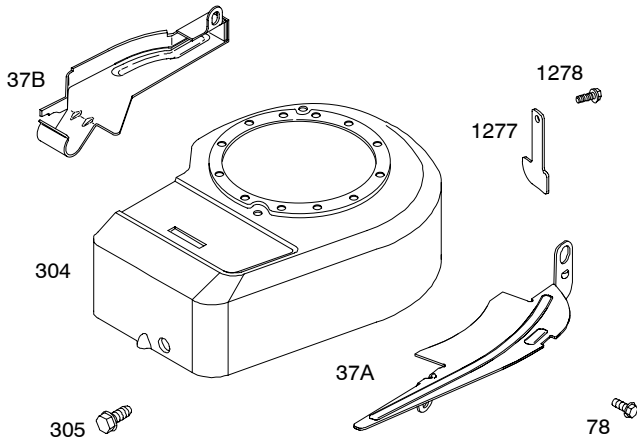
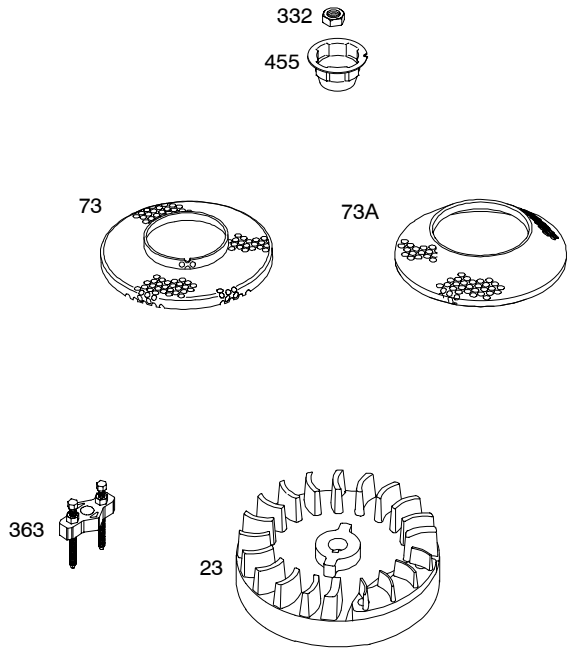


# 10M900





1036 EMISSIONS LABEL



# 10M900

| REF. NO. | PART NO. | DESCRIPTION   | REF. NO. | PART NO. | DESCRIPTION  | REF. NO. | PART NO. | DESCRIPTION   |
|----------|----------|---|----------|----------|--|----------|----------|---|
| 1        | 699650   | Cylinder Assembly   | 23       | 692009   | Flywheel   | 37A      | 697403   | Guard-Flywheel<br>(Carburetor Side)   |
| 2        | 399269   | Kit-Bushing/Seal<br>(Magneto Side)  |          |          | ----- <b>Note</b> -----  | 40       | 692194   | Retainer-Valve  |
| 3        | ★299819S | Seal-Oil<br>(Magneto Side)  |          |          | 690843 Flywheel<br>Used on Type No(s).<br>0005, 0111, 0112,<br>0113, 0114, 0115.     | 43       | 697799   | Slinger-Governor/Oil  |
| 4        | 699081   | Sump-Engine<br>Used on Type No(s).<br>0005.   | 24       | 222698S  | Key-Flywheel   | 45       | 691762   | Tappet-Valve  |
| 4A       | 698691   | Sump-Engine   | 25       | 790908   | Piston Assembly<br>(Standard)<br>(Used After Code Date<br>04111400).                 | 46       | 691998   | Camshaft  |
| 5        | 790169   | Head-Cylinder   |          |          | ----- <b>Note</b> -----  | 50       | 699644   | Manifold-Intake   |
| 7        | ★△698717 | Gasket-Cylinder Head  |          |          | 699657 Piston<br>Assembly<br>(Standard)<br>(Used Before Code<br>Date 04111500).      | 51       | ★699649  | Gasket-Intake   |
| 8        | 791781   | Breather Assembly<br>(Used After Code Date<br>05102400).                                    |          |          | 792532 Piston<br>Assembly<br>(.020" Oversize)<br>(Used After Code Date<br>04111400). | 54       | 691111   | Screw<br>(Intake Manifold)  |
|          |          | ----- <b>Note</b> -----   |          |          | ----- <b>Note</b> -----  | 55       | 692144   | Housing-Rewind<br>Starter   |
|          |          | 699640 Breather<br>Assembly<br>(Used Before Code<br>Date 05102500).                         |          |          | 699658 Ring Set<br>(Standard)<br>(Used Before Code<br>Date 04111500).                | 58       | 697316   | Rope-Starter<br>(88 5/8" Long)  |
| 9        | ★△695890 | Gasket-Breather   |          |          | 792533 Ring Set<br>(.020" Oversize)<br>(Used After Code Date<br>04111400).           |          |          | ----- <b>Note</b> -----   |
| 10       | 691666   | Screw<br>(Breather Assembly)  | 26       | 790909   | Ring Set<br>(Standard)<br>(Used After Code Date<br>04111400).                        | 60       | 691915   | Grip-Starter Rope   |
| 11       | 691245   | Tube-Breather   |          |          | ----- <b>Note</b> -----  | 65       | 690837   | Screw<br>(Rewind Starter)   |
| 12       | ★692218  | Gasket-Crankcase<br>(Standard)<br>(.015" Thick)   |          |          | 699658 Ring Set<br>(Standard)<br>(Used Before Code<br>Date 04111500).                | 73       | 694018   | Screen-Rotating<br>(Used Before Code<br>Date 03080400).<br>Used on Type No(s).<br>0212, 0289. |
|          |          | ----- <b>Note</b> -----   |          |          | 792533 Ring Set<br>(.020" Oversize)<br>(Used After Code Date<br>04111400).           | 73A      | 699850   | Screen-Rotating<br>(Used After Code Date<br>03080300).  |
|          |          | 270895 Gasket-<br>Crankcase<br>(.005" Thick)  |          |          | Lock-Piston Pin  | 78       | 692198   | Screw<br>(Flywheel Guard)   |
|          |          | 270896 Gasket-<br>Crankcase<br>(.009" Thick)  |          |          | 28 699659 Pin-Piston   | 81       | 691179   | Lock-Muffler Screw<br>Used on Type No(s).<br>0388, 0554.                                      |
| 13       | 691640   | Screw<br>(Cylinder Head)  |          |          | 29 699654 Rod-Connecting   | 90       | 790206   | Carburetor<br>(Used After Code Date<br>03111900).   |
| 15       | 691680   | Plug-Oil Drain  |          |          | 32 691664 Screw<br>(Connecting Rod)  |          |          | ----- <b>Note</b> -----   |
| 16       | 691472   | Crankshaft  |          |          | 33 296676 Valve-Exhaust  |          |          | 697415 Carburetor<br>(Used Before Code<br>Date 03112000).                                     |
|          |          | ----- <b>Note</b> -----   |          |          | 34 296677 Valve-Intake   |          |          | 790218 Carburetor<br>Used on Type No(s).<br>0005, 0111, 0112,<br>0113, 0114, 0115.            |
|          |          | 692989 Crankshaft<br>Used on Type No(s).<br>0005, 0018, 0111,<br>0112, 0113, 0212,<br>0397. |          |          | 35 690520 Spring-Valve<br>(Intake)   | 97       | 697414   | Shaft-Throttle  |
|          |          | 691471 Crankshaft<br>Used on Type No(s).<br>0016, 0114.                                     |          |          | 36 690520 Spring-Valve<br>(Exhaust)  | 106      | 691901   | Seat-Inlet  |
| 20       | ★391483S | Seal-Oil<br>(PTO Side)  |          |          | 37 793748 Guard-Flywheel<br>(Muffler Side)   | 130      | 691190   | Valve-Throttle  |
| 22       | 692551   | Screw<br>(Crankcase<br>Cover/Sump)  |          |          |  |          |          |   |

★ Engine Gasket Set-Reference 358

△ Valve Gasket Set-Reference 1095

# 10M900

| REF. NO.                | PART NO.   | DESCRIPTION  | REF. NO.   | PART NO.   | DESCRIPTION  | REF. NO.  | PART NO.   | DESCRIPTION   |
|-------------------------|--|--|--|--|--|---|--|---|
| 163                     | ★271139S   | Gasket–Air Cleaner   | 265  | 690798   | Clamp–Casing   | 332   | 690662   | Nut<br>(Flywheel)                                       |
| 180                     | 494406   | Tank–Fuel  | 267  | 691044   | Screw<br>(Casing Clamp)  | 333   | 793281   | Armature–Magneto<br>(Used After Code Date<br>06073000). |
| 188                     | 692198   | Screw<br>(Control Bracket)   | 268  | 691072   | Casing–Control Wire<br>(48" Long)<br>(Cut To Required<br>Length)   | ----- <b>Note</b> -----   |  |   |
| 190                     | 691640   | Screw<br>(Fuel Tank)<br>(1 3/4" Long)  | ----- <b>Note</b> -----  |  |  | 496914  | Armature–<br>Magneto<br>(Used Before Code<br>Date 06073100). |   |
| 190A                    | 692198   | Screw<br>(Fuel Tank)<br>(1/2" Long)  | 691025   | Casing–<br>Control Wire<br>(72" Long)<br>(Cut To Required<br>Length) |  | 334   | 691061   | Screw<br>(Magneto Armature)                             |
| 202                     | 698835   | Link–Mechanical<br>Governor  | 269  | 691026   | Wire–Control<br>(78" Long)<br>(Cut To Required<br>Length)          | 337   | 802592S  | Plug–Spark<br>----- <b>Note</b> -----                   |
| 209                     | 698719   | Spring–Governor<br>(Light Blue)<br>Used on Type No(s).<br>0015, 0016, 0018,<br>0100, 0212, 0289,<br>0397.      | 270  | 691027   | Nut<br>(Control Wire Casing)                                       | 697451 Plug–Spark<br>Used on Type No(s).<br>0005, 0015, 0016,<br>0018, 0364, 0388,<br>0554. |  |   |
| ----- <b>Note</b> ----- |  |  | 271  | 691028   | Lever–Control  | 356   | 692390   | Wire–Stop   |
| 698726                  | Spring–<br>Governor<br>(Pink)<br>Used on Type No(s).<br>0310, 0364, 0367,<br>0435, 0452, 0474,<br>0489, 0521, 0554,<br>0621, 0712. |  | 287  | 691002   | Screw<br>(Dipstick Tube)   | 358   | 699933   | Gasket Set–Engine                                       |
| 790220                  | Spring–<br>Governor<br>(Black)<br>Used on Type No(s).<br>0005, 0111, 0112,<br>0113, 0114, 0115.                                    |  | 300  | 692307   | Muffler<br>(Super Lo Tone)   | 363   | 19069  | Puller–Flywheel   |
| 222                     | 697410   | Bracket–Control<br>Used on Type No(s).<br>0100, 0388.  | 300A   | 394569S  | Muffler<br>(Round Lo Tone)   | 365   | 790029   | Screw<br>(Carburetor)                                   |
| 222A                    | 698725   | Bracket–Control  | 304  | 697411   | Housing–Blower<br>(Compliance Engines)<br>----- <b>Note</b> -----  | 383   | 89838S   | Wrench–Spark Plug                                       |
| 222B                    | 699326   | Bracket–Control<br>Used on Type No(s).<br>0005, 0015, 0016,<br>0018, 0111, 0112,<br>0113, 0114, 0115,<br>0397. | 790297 Housing–<br>Blower<br>(Non Compliance<br>Engines)<br>Used on Type No(s).<br>0005, 0111, 0112,<br>0113, 0114, 0115,<br>0397. |  |  | 390   | 691839   | Spring–Choke<br>Diaphragm                               |
| 227                     | 697402   | Lever–Governor<br>Control  | 305  | 692198   | Screw<br>(Blower Housing)  | 393   | 691837   | Screen–Carburetor                                       |
| 236                     | 691867   | Link–Lockout   | 306  | 690400   | Shield–Cylinder<br>(Used Before Code<br>Date 06101100).            | 394   | 495770   | Diaphragm–Carburetor                                    |
|                         |  |  | 307  | 690345   | Screw<br>(Cylinder Shield)<br>(Used Before Code<br>Date 06101100). | 404   | 690272   | Washer<br>(Governor Crank)                              |
|                         |  |  |  |  |  | 455   | 691236   | Cup–Flywheel  |
|                         |  |  |  |  |  | 456   | 692299   | Plate–Pawl Friction                                     |
|                         |  |  |  |  |  | 459   | 281505S  | Pawl–Ratchet  |
|                         |  |  |  |  |  | 505   | 691251   | Nut<br>(Governor Control<br>Lever)                      |
|                         |  |  |  |  |  | 523   | 692040   | Dipstick  |
|                         |  |  |  |  |  | 524   | ★691876  | Seal–Dipstick Tube                                      |
|                         |  |  |  |  |  | 525   | 691320   | Tube–Dipstick   |
|                         |  |  |  |  |  | 529   | 692189   | Grommet   |
|                         |  |  |  |  |  | 534   | 691417   | Screw<br>(Air Cleaner)                                  |
|                         |  |  |  |  |  | 535   | 698369   | Filter–Air Cleaner<br>Foam                              |
|                         |  |  |  |  |  | 536   | 698472   | Cleaner–Air   |

★ Engine Gasket Set–Reference 358

△ Valve Gasket Set–Reference 1095

# 10M900

| REF. NO. | PART NO. | DESCRIPTION   | REF. NO. | PART NO. | DESCRIPTION  | REF. NO. | PART NO. | DESCRIPTION  |
|----------|----------|---|----------|----------|--|----------|----------|--|
| 562      | 92613    | Bolt<br>(Governor Control Lever)  | 724      | 697478   | Retainer-Seal  | 957      | 497929S  | Cap-Fuel Tank  |
| 578      | 398153   | Wire Assembly<br>Used on Type No(s).<br>0015, 0016, 0018.   | 729      | 690586   | Clip-Wire  | 957A     | 791129   | Cap-Fuel Tank<br>Used on Type No(s).<br>0005, 0015, 0016,<br>0018, 0112, 0113<br>0114, 0115.   |
| 592      | 690800   | Nut<br>(Rewind Starter)   | 741      | 691805   | Gear-Timing  | 969      | 694046   | Screw<br>(Blower Housing Cover)<br>(2 1/4" Long)   |
| 597      | 691696   | Screw<br>(Pawl Friction Plate)  | 745      | 691146   | Screw<br>(Brake)<br>(7/8" Long)  | 976      | 694394   | Primer-Carburetor  |
| 608      | 499706   | Starter-Rewind<br>(88 5/8" Rope)  | 745A     | 690859   | Screw<br>(Brake)<br>(1/2" Long)  | 1036     |          | Label-Emissions<br>(Available from<br>Authorized Briggs &<br>Stratton Service<br>Dealer)   |
|          |          | ----- <b>Note</b> -----<br><b>690101</b> Starter-Rewind<br>(70" Rope)<br>Used on Type No(s).<br>0113, 0114, 0115. | 832      | 790743   | Guard-Muffler  | 1058     | 277038   | Operator's Manual<br>----- <b>Note</b> -----<br><b>MS3479</b> Operator's<br>Manual<br>Used on Type No(s).<br>0005, 0015, 0016,<br>0018, 0112, 0113,<br>0114. |
| 612      | 496046S  | Tube-Pick Up  | 832A     | 699670   | Guard-Muffler  |          |          | <b>MS3447</b> Operator's<br>Manual<br>Used on Type No(s).<br>0111, 0289, 0397.   |
| 613      | 691413   | Screw<br>(Muffler)  | 836      | 690664   | Screw<br>(Muffler Guard)<br>(13/32" Long)<br>Used on Type No(s).<br>0005, 0111, 0112,<br>0113, 0114, 0115,<br>0364, 0397.  | 1095     | 498526   | Gasket Set-Valve   |
| 615      | 690340   | Retainer-Governor<br>Shaft  | 836A     | 790745   | Screw<br>(Muffler Guard)<br>(1/2" Long)<br>Used on Type No(s).<br>0388.  | 1210     | 499901   | Pulley/Spring<br>Assembly<br>(Pulley)  |
| 616      | 697405   | Crank-Governor  | 842      | *691870  | Seal-O Ring<br>(Dipstick Tube)   | 1211     | 499901   | Pulley/Spring<br>Assembly<br>(Spring)  |
| 617      | 270344S  | Seal-O Ring<br>(Intake Manifold)  | 847      | 691440   | Dipstick/Tube<br>Assembly  | 1218     | 695866   | Seal-O Ring<br>(Carburetor)  |
| 621      | 692310   | Switch-Stop   | 851      | 493880S  | Terminal-Spark Plug  | 1277     | 698718   | Guard-Governor Nut<br>(Used Before Code<br>Date 05121300).   |
| 633      | 691321   | Seal-Choke/Throttle<br>Shaft<br>(Throttle)  | 868      | 697338   | Seal-Valve   | 1278     | 691002   | Screw<br>(Governor Nut Guard)<br>(Used Before Code<br>Date 05121300).  |
| 635      | 66538S   | Boot-Spark Plug   | 869      | 699641   | Seat-Valve<br>(Intake)   | 1330     | 270962   | Repair Manual  |
| 670      | 691633   | Spacer-Fuel Tank  | 870      | 699642   | Seat-Valve<br>(Exhaust)  |          |          |  |
| 676      | 393756   | Deflector-Muffler<br>Used on Type No(s).<br>0113, 0114, 0115.   | 871      | 699643   | Bushing-Valve Guide<br>(Exhaust Valve)<br>----- <b>Note</b> -----<br><b>63709</b> Bushing-Valve<br>Guide<br>(Intake Valve) |          |          |  |
| 677      | 690661   | Screw<br>(Muffler Deflector)<br>Used on Type No(s).<br>0113, 0114, 0115.  | 913      | 494409   | Seat-Check Valve   |          |          |  |
| 689      | 691855   | Spring-Friction   | 921      | 698709   | Cover-Blower Housing   |          |          |  |
| 718      | 690959   | Pin-Locating<br>(Cylinder)  | 922      | 692135   | Spring-Brake   |          |          |  |
| 718A     | 499047   | Pin-Locating<br>(Crankshaft)  | 923      | 691487   | Brake  |          |          |  |

★ Engine Gasket Set-Reference 358

△ Valve Gasket Set-Reference 1095